

Bestway®

1. 1/27/21 10:00 AM



2021

LAY-Z-SPA®

Bestway



# Bestway



20 | CATALOG  
21 | COLLECTION



# OUR VISION MISSION

We create fun, lasting experiences for everyone in the world through the products and service we provide.

Happiness —  
Happy Consumers,  
Happy Employees,  
Happy World



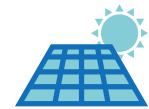
Vertically integrated



Customer focused



Innovative



Sustainable



Consumer driven



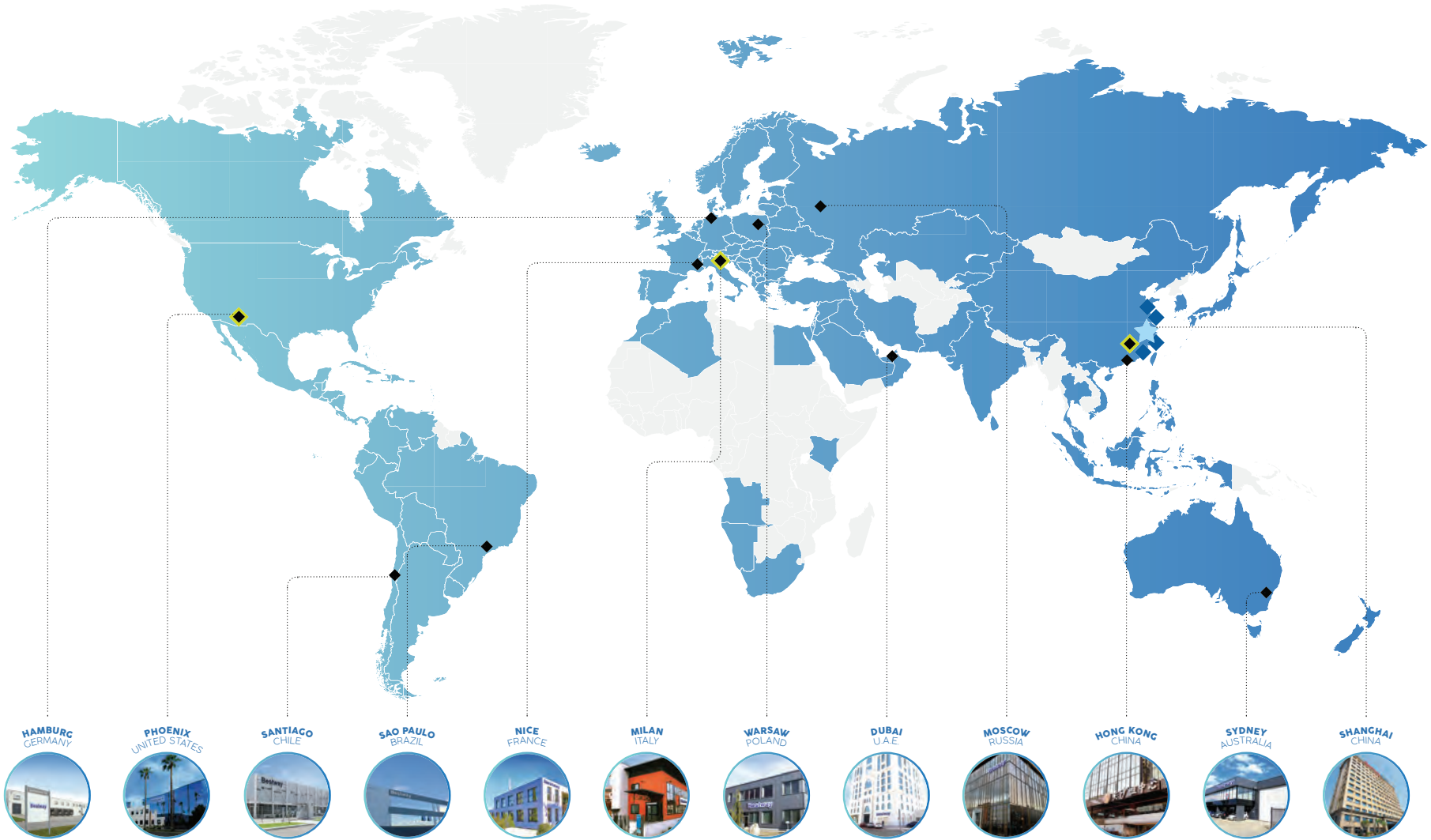
Fully owned production facilities



Public stock exchange



# BESTWAY WORLD



★ HEADQUARTER

◇ R-D CENTER

◆ OVERSEAS SUBSIDIARY

◆ PRODUCTION FACILITY



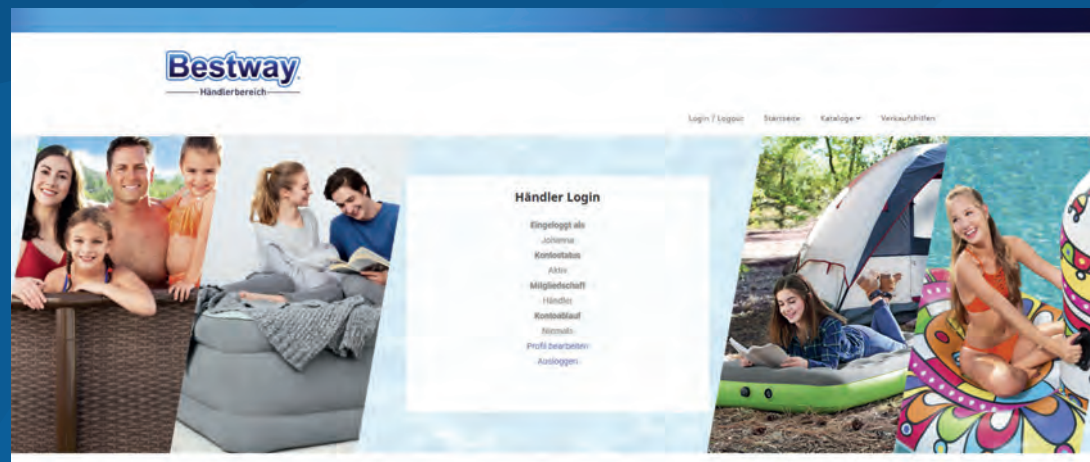
# Der neue Händlerzugang

Für die Saison 2020 wird Bestway Deutschland erstmals auf den Versand gedruckter Katalogsets verzichten und diese dafür online in einem neuen Händlerbereich zur Verfügung stellen. Diese Entscheidung trägt nicht nur zu einer nachhaltigeren Lösung des Katalogversands bei, sondern ermöglicht Ihnen, gleich aus dem Händlerbereich heraus,

- Kataloge & Verkaufstipps herunterzuladen,
- diese online durchzublättern,
- sich Notizen zu machen und
- die Kataloge überall und jederzeit öffnen zu können.

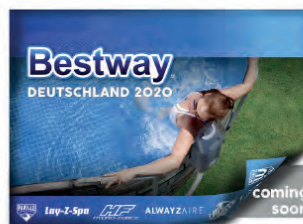
On Top wird der Händlerzugang künftig auch für weitere Arten der Datenbereitstellung, sowie als Informationsquelle für Sie dienen. Hauptziel dabei ist unter anderem die Optimierung der Kommunikation zwischen uns als Hersteller und Ihrem POS!

Hinweis: Wenn Sie noch keinen Zugang von uns erhalten haben, lassen Sie es uns wissen, schreiben Sie eine E-Mail an [sales@bestwaycorp.de](mailto:sales@bestwaycorp.de) - und wir stellen Ihnen umgehend einen Zugang zur Verfügung!



## 2020er Kataloge

### Lagerkatalog 2020



coming soon

coming soon

### Aufstellpools



Durchblättern

Download (137MB)

### Lay-Z-Spa Whirlpools



Durchblättern

Download (63MB)





LAY-Z-SPA.  
SAUNAS





## WELCOME

Almost a decade of advanced engineering innovations have built a name that people all around the world have grown to trust. The Lay-Z-Spa® offers an affordable spa experience that's convenient to use, easy to set up and offers total relaxation. Backed by the Bestway® customer service team, consumers can enjoy peace of mind while relaxing in their brand new spa. With different massage technologies, a Lay-Z-Spa offers the ultimate way to rest and recharge.









# CONTENTS

## AIRJET™

|  |   |  |   |   |
|--|---|--|---|---|
| ST. LUCIA<br>6 0 0 3 7 + 6 0 0 3 8<br>pg 24-27 | MIAMI<br>6 0 0 0 1 + 6 0 0 0 2<br>pg 28-31    | BAHAMAS<br>6 0 0 0 5 + 6 0 0 0 6<br>pg 32-35 | CANCUN<br>6 0 0 0 3 + 6 0 0 0 4<br>pg 36-39     | TAHITI<br>6 0 0 0 7 + 6 0 0 0 8<br>pg 40-43   |
| IBIZA<br>6 0 0 1 5 + 6 0 0 1 6<br>pg 44-47     | HONOLULU<br>6 0 0 1 9 + 6 0 0 2 0<br>pg 48-51 | HAWAII<br>6 0 0 2 1 + 6 0 0 2 2<br>pg 52-55  | ST. MORITZ<br>6 0 0 2 3 + 6 0 0 2 4<br>pg 56-59 | HELSINKI<br>6 0 0 2 5 + 6 0 0 2 6<br>pg 60-63 |

## AIRJET PLUS™

|  |  |
|--|--|
| MILAN<br>6 0 0 2 9 + 6 0 0 3 0<br>pg 66-69 | VANCOUVER<br>6 0 0 2 7 + 6 0 0 2 8<br>pg 72-75 |
|--|--|

## HYDROJET PRO™

|   |   |
|---|---|
| HAWAII<br>6 0 0 3 1 + 6 0 0 3 2<br>pg 78-81 | MALDIVES<br>6 0 0 3 3 + 6 0 0 3 4<br>pg 82-85 |
|---|---|

## XTRAS™

|   |                              |   |                                   |   |   |
|---|------------------------------|---|-----------------------------------|---|---|
| RECHARGEABLE<br>UNDERWATER VACUUM<br>6 0 3 0 1<br>pg 87 | CANOPY<br>6 0 3 0 4<br>pg 88 | SURROUND<br>6 0 3 0 8<br>pg 88            | DOME<br>6 0 3 0 5<br>pg 89        | COLORJET<br>LED LIGHT<br>6 0 3 0 2<br>pg 90 | 7-COLOR LED<br>LIGHT<br>6 0 3 0 3<br>pg 90  |
| DRINK HOLDER<br>6 0 3 0 6<br>pg 91                      | PILLOW<br>6 0 3 0 7<br>pg 91 | ALL IN ONE TOOL SET<br>6 0 3 1 0<br>pg 92 | TEST STRIPS<br>5 8 1 4 2<br>pg 92 | FLOOR PROTECTOR<br>6 0 3 0 9<br>pg 93       | FILTER CARTRIDGE (VI)<br>6 0 3 1 1<br>pg 93 |

[www.bestwaycorp.com](http://www.bestwaycorp.com)

## SERVICE

Provide your customers with quality products and the advanced customer service support they deserve. Bestway's online services and regional call centers allow customers to easily resolve issues that arise with their Bestway products. Our multilingual website is a knowledge base offering downloadable manuals, instructional videos along with FAQs and the ability for customers to order spare parts. Regional Call Centers provide the added dimension of support for those unfamiliar with computers or unable to find specific answers to their questions online.





Bestway

# SMART HUB™ APP



## HEAT CONTROL

Set to your perfect temperature



## SET TIMER

Power saving timer



## AIRJET™ SETTINGS

Adjustable massage action



## FILTRATION

Water filter activation

## QUICK SET-UP

- 1 **DOWNLOAD**  
THE BESTWAY SMART  
HUB™ APP
- 2 **CLICK**  
ON SPA
- 3 **FOLLOW**  
THE SET UP  
INSTRUCTIONS





## APP CONNECTION

### DELIVERING STRENGTH AND COMFORT

With the Bestway Smart Hub™ app, control is right in the palm of your hand. This brand new innovation makes the Lay-Z-Spa one of the most convenient in the market. Compatible with smart devices, the Spa Control section of the app lets users set their spa to the perfect temperature. They can also activate the Power Saving Timer, the water filter, and the AirJet massage system with the touch of a button!



## MASSAGE REGULATION

A new feature on some Lay-Z-Spas will allow the user to choose the intensity of their AirJet™ massage. With two levels, the massage bubbles are customizable, giving the consumers control over their relaxation experience.



## FREEZE SHIELD™ TECHNOLOGY

### COMFORT IN THE COLD

Lay-Z-Spas with Freeze Shield™ are equipped for year-round, all-weather use. Designed with innovative winterizing technology and an improved material, these spas automatically increase water circulation and heating when temperatures are low to prevent the inner parts from becoming damaged.



# MASSAGE TECHNOLOGIES



## AIRJET™ SYSTEM

Soothe your body and relax your mind with the touch of a button! The AirJets work by releasing warm air into the water, surrounding you with a calming bubble massage.



## AIRJET PLUS™ SYSTEM

Enjoy a deeper massage with AirJet Plus! Air bubbles are released from both the bottom and the sidewalls of the spa to target both the legs and back.



## HYDROJETPRO™ SYSTEM

HydroJet Pro is the best of both worlds! Adjustable HydroJet nozzles that release high-pressure water bubbles combined with AirJets along the bottom provide the ultimate spa massage.



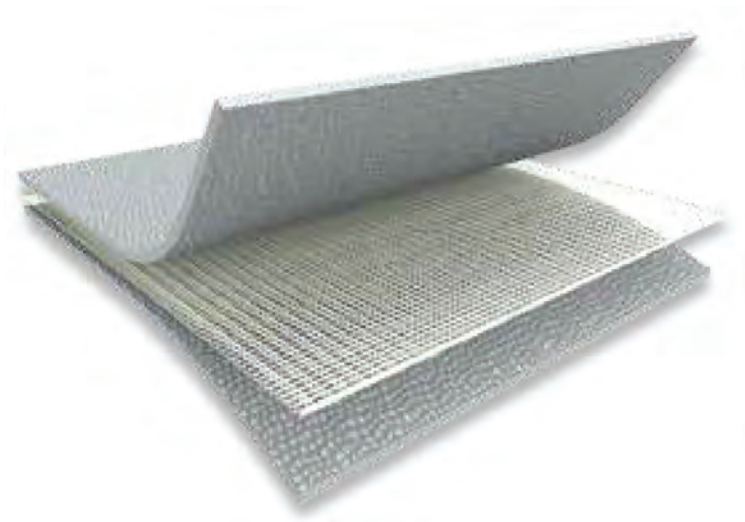




## **BEAM** CONSTRUCTION

### **DELIVERING STRENGTH AND COMFORT**

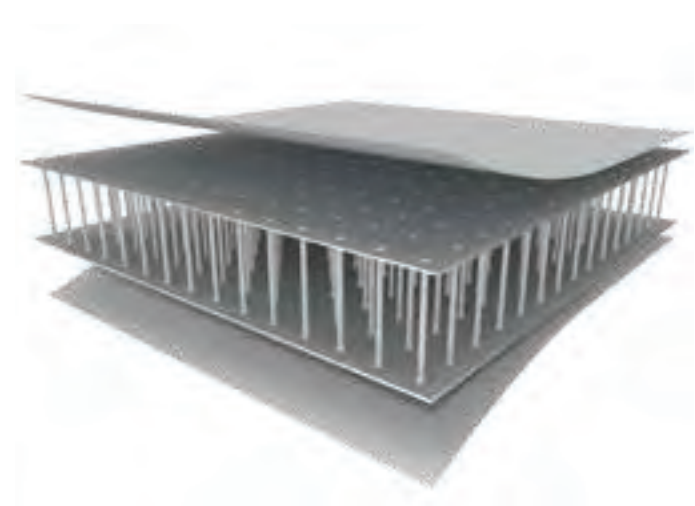
The internal construction of each Lay-Z-Spa is designed to offer superior structural stability while still maintaining a comfortable surface. It always provides a luxurious spa experience, no matter how many times it's inflated or deflated.



## **DURAPLUS™** 3 - PLY

### **DURABLE COMFORT**

Durable, yet comfortable, DuraPlus™ is ultra sturdy - 3 layers of polyester mesh and PVC. By constructing the internal structure with DuraPlus™, it ensures that the spas will keep their shape no matter how many times they have been inflated or deflated.



## **DROP STITCH** MATERIAL

### **LIGHT-WEIGHT DURABILITY**

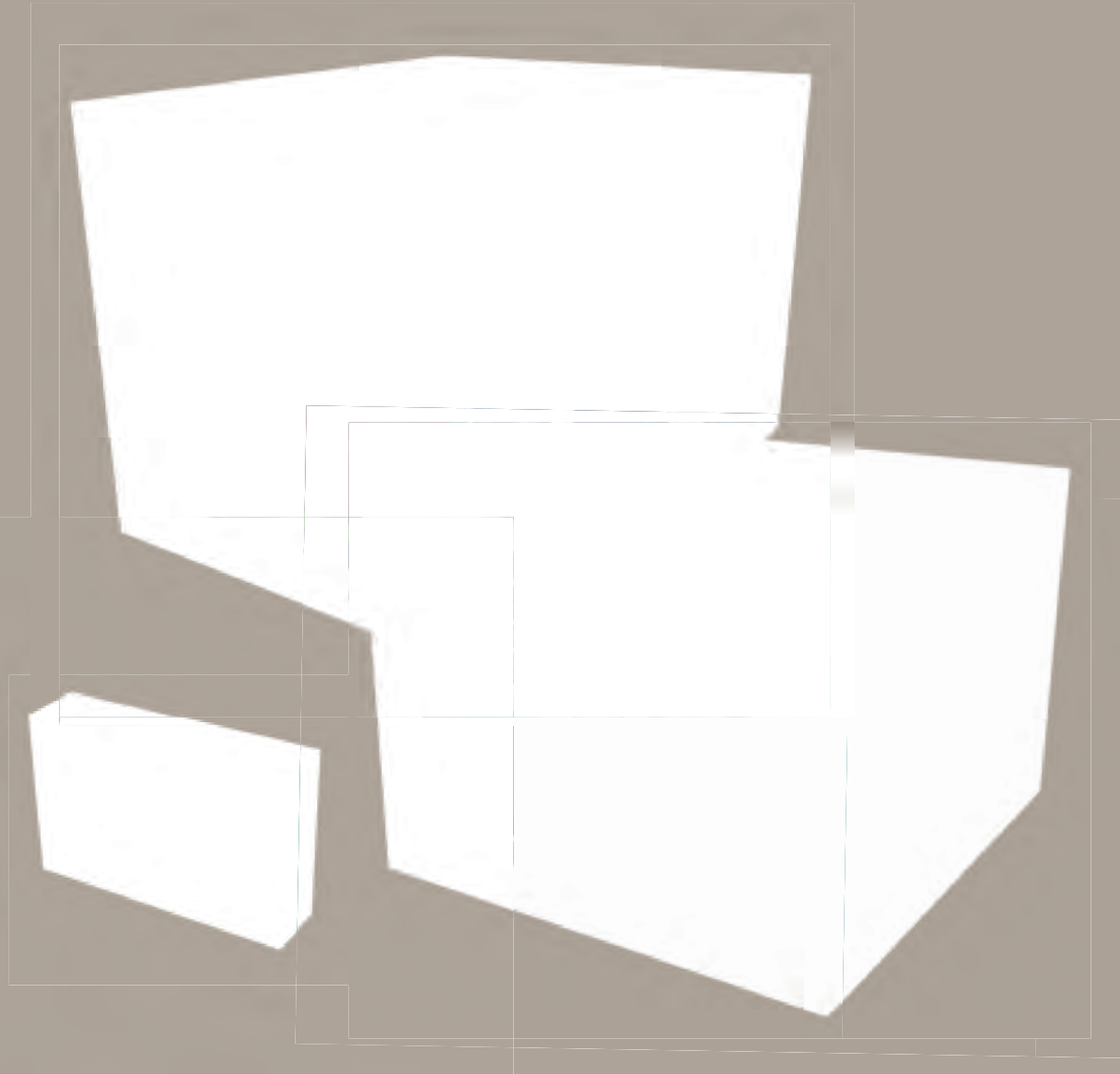
The inflated walls are made from drop stitch material, providing unparalleled strength and durability. Thousands of fine threads securely connect the sidewalls, which seal in air to keep the spa inflated. This material can support considerable weight while still being light and portable when deflated.



# ALL NEW LOOK LAY-Z-SPA REBRAND

THE BRAND NEW LOOK OF THE  
SPA PACKAGING TAKES ON BOTH  
CLASSIC AND MODERN.

The sleek layout answers consumers questions before they even realize they have them, all while looking both professional and contemporary.



## ALL NEW LOGO

A brand new logo was created to improve cohesion between packaging and the original brand logo.

Following input from third party focus groups, a more modern logo would increase the brand perception and create differentiation between us and our competitors.

## NEW PHOTO DIRECTION

All new photography was shot in order to fit the more relaxed mood of the packaging.

## MODERN SIMPLIFICATION

We took inspiration from modern designs to simplify our packaging and give it that feeling of luxury that it deserves.



## EASY TO READ CALLOUTS

The callouts are easy to understand and digest, describing each feature with concise accuracy.

## STRATEGIC SIDE PANEL

Important information that's all in one place, the side panels now feature all of the product contents, highlights and set-up details that consumers appreciate.







# REBRANDING

## PACKAGING DETAILS

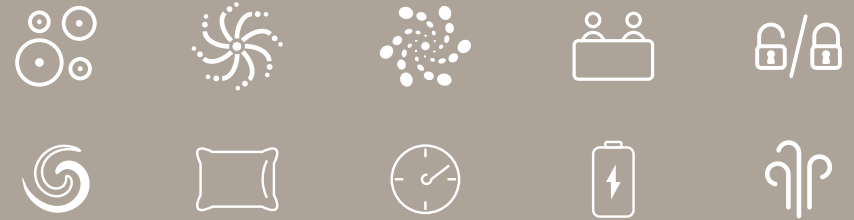
### ACCESSORIES UPDATE

Along with our spa packaging, all of our accessories and extras have been updated to match the new and modern design.



### NEW ICON ILLUSTRATIONS

To provide a stylish touch and make our packaging distinctly our own, along with making our callouts and details easier to read and understand, we've updated all of the icons. Now, it's obvious that they all fit together, and are used as supplemental graphics on packaging.



### SIMPLIFIED COLOR

We've introduced a simple and clean color palette that will help consumers recognize our products on-shelf, and allow them to easily distinguish between AirJet/AirJet Plus and HydroJet Pro products.



### NEW PRODUCT ANGLES

For a more technical and attractive look, we've created 3D renders of all of our spas to continue the clean consistency used throughout all of the packaging.



# 2021 PLANOGRAM

PACKAGING NOT TO SCALE





# INTRODUCING 2021 LAY-Z-SPA COLLECTION



ST. LUCIA  
60037  
60038

MIAMI  
60001  
60002

BAHAMAS  
60005  
60006

CANCUN  
60003  
60004

TAHITI  
60007  
60008

IBIZA  
60015  
60016

HONOLULU  
60019  
60020

|                     |                               |                               |                               |                               |                               |  |                               |
|---------------------|-------------------------------|-------------------------------|-------------------------------|-------------------------------|-------------------------------|--|-------------------------------|
| CAPACITY            | 2-3 ADULTS                    | 2-4 ADULTS                    | 2-4 ADULTS                    | 2-4 ADULTS                    | 2-4 ADULTS                    | 4-6 ADULTS                                   | 4-6 ADULTS                    |
| INFLATED SIZE       | 1.70 M X 66 CM<br>(67" X 26") | 1.80 M X 66 CM<br>(71" X 26") | 1.80 M X 66 CM<br>(71" X 26") | 1.80 M X 66 CM<br>(71" X 26") | 1.80 M X 66 CM<br>(71" X 26") | 1.80 M X 1.80 M X 66 CM<br>(71" X 71" X 26") | 1.96 M X 71 CM<br>(77" X 28") |
| INNER SIZE          | 1.24 M (49")                  | 1.32 M (52")                  | 1.32 M (52")                  | 1.32 M (52")                  | 1.32 M (52")                  | 1.32 M X 1.32M (52" X 52")                   | 1.46 M (57")                  |
| WATER CAPACITY      | 605 L (160 GAL.)              | 669 L (177 GAL.)              | 669 L (177 GAL.)              | 669 L (177 GAL.)              | 669 L (177 GAL.)              | 778 L (205 GAL.)                             | 916 L (242 GAL.)              |
| MATERIAL            | PVC & DURAPLUS™               | PVC & DURAPLUS™               | PVC & DURAPLUS™               | PVC & DURAPLUS™               | PVC & DURAPLUS™               | PVC & DURAPLUS™                              | DURAPLUS™                     |
| NUMBER OF AIRJETS   | 110                           | 120                           | 120                           | 120                           | 120                           | 140  | 140                           |
| NUMBER OF HYDROJETS | 00                            | 00                            | 00                            | 00                            | 00                            | 00   | 00                            |
| SMART HUB APP       |                               |                               |                               |                               |                               |  |                               |
| FREEZE SHIELD™      | •                             | •                             | •                             | •                             | •                             | •  | •                             |
| LED LIGHTS          |                               |                               |                               |                               | •                             |  |                               |
| FOOT MASSAGE        |                               |                               |                               |                               |                               |  |                               |
| MASSAGE REGULATION  |                               |                               |                               |                               |                               |  |                               |
| INTEGRATED SEATS    |                               |                               |                               |                               |                               |  |                               |



HAWAII  
60021  
60022

ST. MORITZ  
60023  
60024

HELSINKI  
60025  
60026

MILAN  
60029  
60030

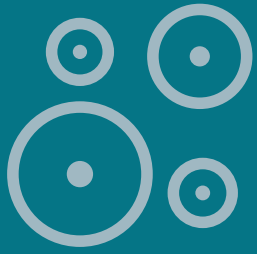
VANCOUVER  
60027  
60028

HAWAII  
60031  
60032

MALDIVES  
60033  
60034

|  |                               |                               |                               |                               |  |  |
|--|-------------------------------|-------------------------------|-------------------------------|-------------------------------|--|--|
| 4-6 ADULTS                                   | 5-7 ADULTS                    | 5-7 ADULTS                    | 4-6 ADULTS                    | 3-5 ADULTS                    | 4-6 ADULTS                                   | 5-7 ADULTS                                     |
| 1.80 M X 1.80 M X 71 CM<br>(71" X 71" X 28") | 2.16 M X 71 CM<br>(85" X 28") | 1.80 M X 66 CM<br>(71" X 26") | 1.96 M X 71 CM<br>(77" X 28") | 1.55 M X 60 CM<br>(61" X 24") | 1.80 M X 1.80 M X 71 CM<br>(71" X 71" X 28") | 2.01 M X 2.01 M X 80 CM<br>(79" X 79" X 31.5") |
| 1.30 M X 1.30 M (51" X 51")                  | 1.66 M (65")                  | 1.70 M (67")                  | 1.46 M (57")                  | 1.45 M (57")                  | 1.30 M X 1.30 M (51" X 51")                  | 1.51 M X 1.51 M (59" X 59")                    |
| 840 L (222 GAL.)                             | 1,190 L (314 GAL.)            | 1,123 L (297 GAL.)            | 916 L (242 GAL.)              | 804 L (213 GAL.)              | 795 L (210 GAL.)                             | 1,050 L (277 GAL.)                             |
| DURAPLUS™                                    | DURAPLUS™                     | DROP STITCH                   | DURAPLUS™                     | DROP STITCH                   | DURAPLUS™                                    | DURAPLUS™                                      |
| 140  | 180                           | 180                           | 140                           | 140                           | 140  | 180  |
| 00   | 00                            | 00                            | 00                            | 00                            | 8  | 8  |
|  |                               |                               | •                             | •                             |  |  |
| •  | •                             | •                             | •                             | •                             | •  | •  |
|  |                               |                               |                               |                               |  | •  |
|  |                               |                               | •                             | •                             |  | •  |
|  |                               |                               | •                             | •                             |  |  |
|  |                               |                               |                               |                               |  | •  |





# AIRJET™ SYSTEM

FLOAT AWAY  
ON A CLOUD OF BUBBLES  
WITH AN AIRJET MESSAGE.

Soothe your body and relax your mind with the touch of a button.

Simply press the massage button on the control panel, and the AirJet system will surround you with calming bubbles.

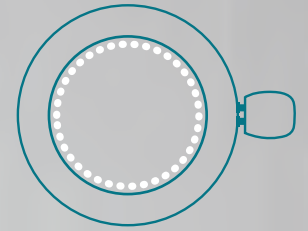


## MULTI-FUNCTION PUMP

The included spa pump is convenient and accessible, complete with a new digital interface and cup holders. This pump inflates the spa, starts the heating and massage systems, and can activate the filtration system. The best part is that the new design now allows users to adjust their needs without standing up or exiting the spa.



AIRJET  
POSITIONING



COMBINATION  
HEAT & AIR MASSAGE





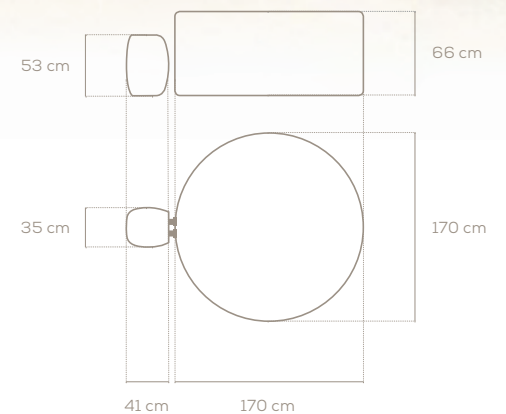


NEW



- Soothing AirJet™ bubble massage system (110 jets)
- Ultra-strong DuraPlus™ walls are stress tested to offer durability
- Freeze Shield™ automatic heating prevents water from freezing & damaging the spa
- Program the spa heater up to 40 days in advance for future use
- ChemConnect™ dispenser provides a stable level of chlorine throughout the spa
- Power-saving, timer-controlled heating system
- Digital control panel & spa pump with integrated filtration system includes cup holders and is accessible from inside the spa
- Reinforced cover with safety lock clips

Contents: 1 spa, 1 pool cover, 1 spa pump, filter cartridge (VI), 1 ChemConnect™ dispenser, repair patch, AirJet™ system







ST. LUCIA 60037 + 60038



## DURAPLUS™ CONSTRUCTION

Both the outer and inner walls offer superior structural stability, providing puncture-resistance and protection against exposure to UV rays.



## BEAM CONSTRUCTION

### DELIVERING STRENGTH AND COMFORT

Lay-Z-Spa's Beam construction is designed to offer superior structural stability while maintaining a comfortable surface for a luxurious, refreshing spa experience.



## SPECIFICATIONS

|                      | 60037                                  | 60038                                 |
|----------------------|--|---------------------------------------|
| WATER CAPACITY (80%) | 605 L (160 GAL.)                       | 177 GAL. (669 L)                      |
| INFLATED SIZE        | 1.70 M X 66 CM<br>(67" X 26")          | 67 IN. X 26 IN.<br>(1.70 M X 66 CM)   |
| INNER SIZE           | 1.24 M (49")                           | 49 IN. (1.24 M)                       |
| FILLED WEIGHT        | 630 KG (1,389 LBS)                     | 1,389 LBS (630 KG)                    |
| RATING               | 220-240V~50HZ, 2050W<br>AT 20°C (68°F) | 110-120V~ 60HZ, 12A<br>AT 68°F (20°C) |
| ACTUAL WATER FLOW    | 1,325 L/H (350 GAL./H)                 | 320 GAL./H (1,211 L/H)                |
| HEATING SYSTEM       | APPROX. 1.5-2.0°C/H<br>(3-4°F/H)       | APPROX. 2-3°F/H<br>(1.0-1.5°C/H)      |
| CERTIFICATION        | CE/GS(TUV-RL)/EAC/CM                   | CETL                                  |
| PACK/ GROSS WEIGHT   | 1 EA., 30.36 KG (66.94 LBS)            | 1 EA., 65.00 LBS. (29.48 KG)          |

# SPA FEATURES



FREEZE SHIELD™



NO TOOLS  
REQUIRED



40 °C

MAX TEMP  
40 °C (104 °F)



CAPACITY  
2-3 PEOPLE

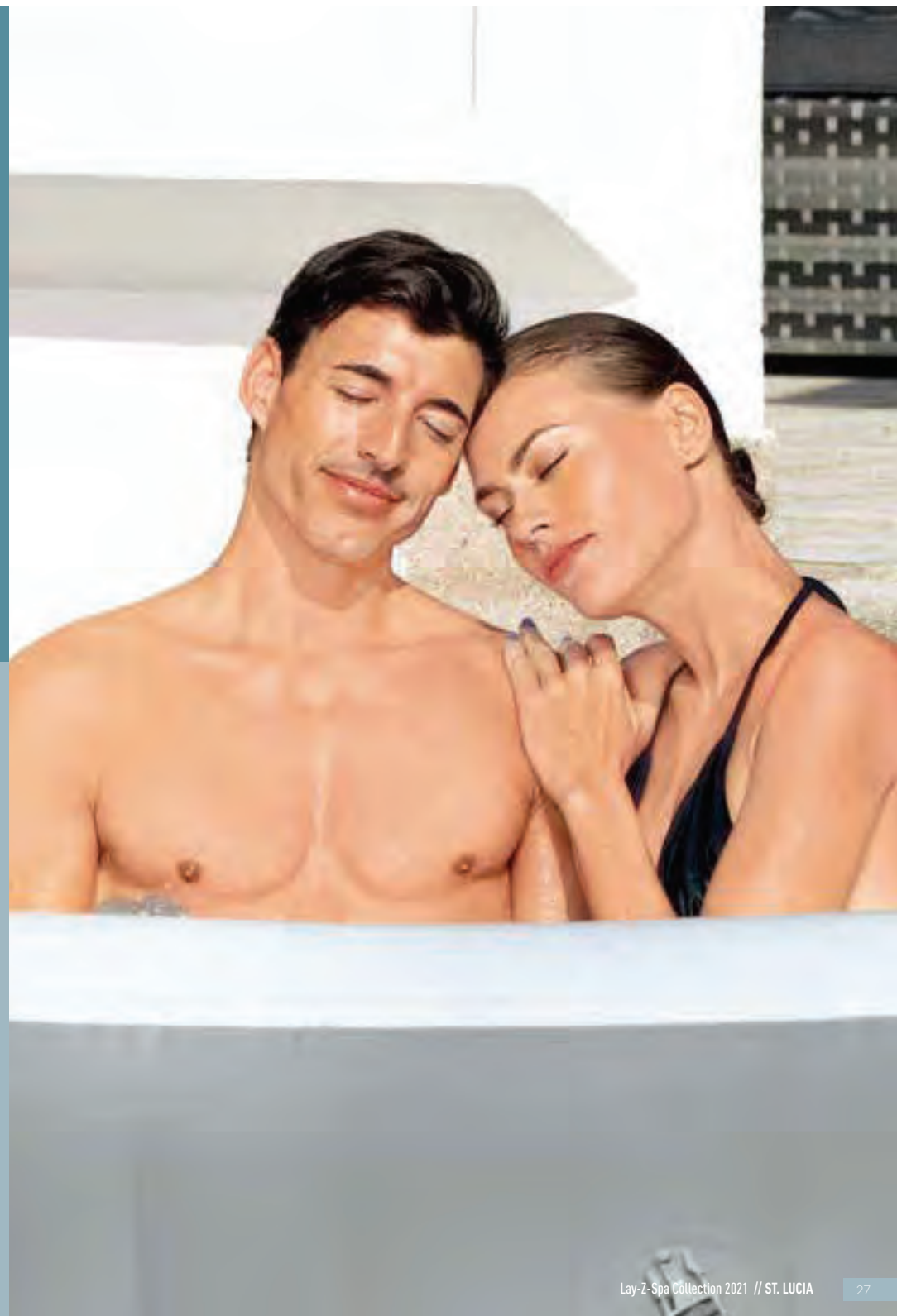


AIRJET™  
MASSAGE  
SYSTEM



POWER SAVING  
TIMER

## DIGITAL CONTROL PANEL









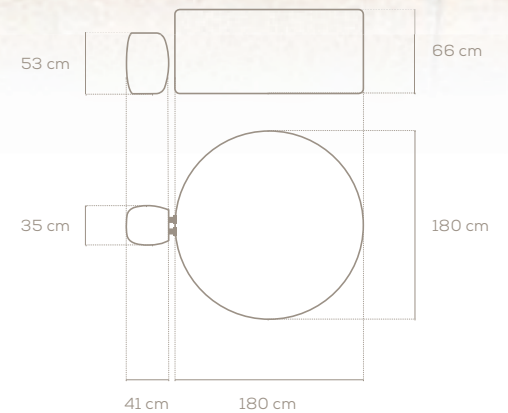


NEW  
GENERATION



- Soothing AirJet™ bubble massage system (120 jets)
- Ultra-strong DuraPlus™ walls are stress tested to offer durability
- Freeze Shield™ automatic heating prevents water from freezing & damaging the spa
- Program the spa heater up to 40 days in advance for future use
- ChemConnect™ dispenser provides a stable level of chlorine throughout the spa
- Power-saving, timer-controlled heating system
- Digital control panel & spa pump with integrated filtration system includes cup holders and is accessible from inside the spa
- Reinforced cover with safety lock clips

Contents: 1 spa, 1 pool cover, 1 spa pump, filter cartridge (VI), 1 ChemConnect™ dispenser, repair patch, AirJet™ system



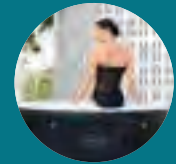


MIAMI 60001+60002



## DURAPLUS™ CONSTRUCTION

Both the outer and inner walls offer superior structural stability, providing puncture-resistance and protection against exposure to UV rays.



## BEAM CONSTRUCTION

### DELIVERING STRENGTH AND COMFORT

Lay-Z-Spa's Beam construction is designed to offer superior structural stability while maintaining a comfortable surface for a luxurious, refreshing spa experience.



## SPECIFICATIONS

|                      | 60001                                  | 60002                                 |
|----------------------|--|---------------------------------------|
| WATER CAPACITY (80%) | 669 L (177 GAL.)                       | 177 GAL. (669 L)                      |
| INFLATED SIZE        | 1.80 M X 66 CM<br>(71" X 26")          | 71 IN. X 26 IN.<br>(1.80 M X 66 CM)   |
| INNER SIZE           | 1.32 M (52")                           | 52 IN. (1.32 M)                       |
| FILLED WEIGHT        | 696 KG (1,534 LBS)                     | 1,534 LBS (696 KG)                    |
| RATING               | 220-240V~50HZ, 2050W<br>AT 20°C (68°F) | 110-120V~ 60HZ, 12A<br>AT 68°F (20°C) |
| ACTUAL WATER FLOW    | 1,325 L/H (350 GAL./H)                 | 320 GAL./H (1,211 L/H)                |
| HEATING SYSTEM       | APPROX. 1.5-2.0°C/H<br>(3-4°F/H)       | APPROX. 2-3°F/H<br>(1.0-1.5°C/H)      |
| CERTIFICATION        | CE/GS(TUV-RL)/EAC/CM                   | CETL                                  |
| PACK/ GROSS WEIGHT   | 1 EA., 33.86 KG (74.65 LBS)            | 1 EA., 72.86 LBS. (33.29 KG)          |

# SPA FEATURES



FREEZE SHIELD™



NO TOOLS  
REQUIRED



40 °C

MAX TEMP  
40 °C (104 °F)



CAPACITY  
2-4 PEOPLE

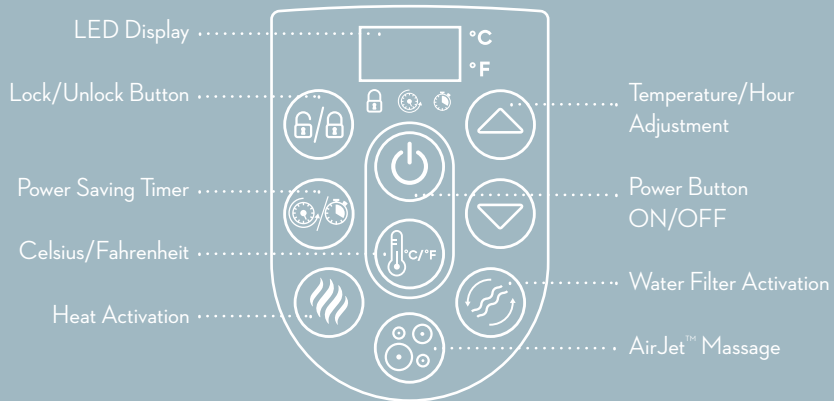


AIRJET™  
MASSAGE  
SYSTEM



POWER SAVING  
TIMER

## DIGITAL CONTROL PANEL









# BAHAMAS 60005 + 60006

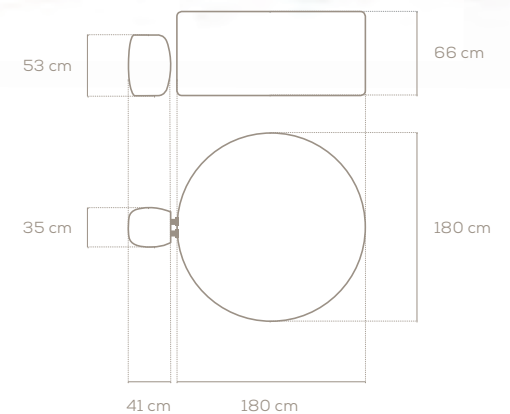


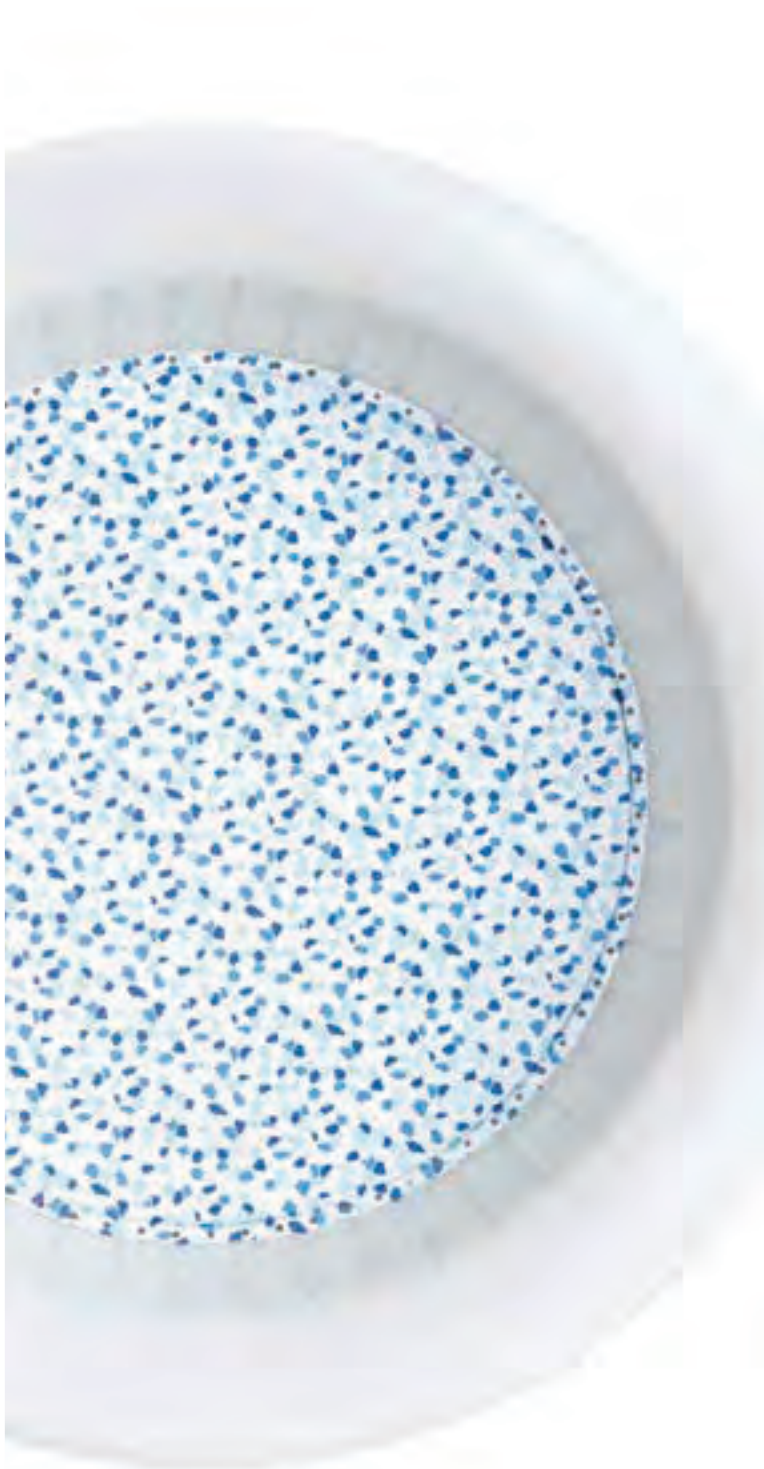
NEW



- Soothing AirJet™ bubble massage system (120 jets)
- Ultra-strong DuraPlus™ walls are stress tested to offer durability
- Freeze Shield™ automatic heating prevents water from freezing & damaging the spa
- Program the spa heater up to 40 days in advance for future use
- ChemConnect™ dispenser provides a stable level of chlorine throughout the spa
- Power-saving, timer-controlled heating system
- Digital control panel & spa pump with integrated filtration system includes cup holders and is accessible from inside the spa
- Reinforced cover with safety lock clips

Contents: 1 spa, 1 pool cover, 1 spa pump, filter cartridge (VI), 1 ChemConnect™ dispenser, repair patch, AirJet™ system





# BAHAMAS 60005 + 60006



## DURAPLUS™ CONSTRUCTION

Both the outer and inner walls offer superior structural stability, providing puncture-resistance and protection against exposure to UV rays.



## BEAM CONSTRUCTION

### DELIVERING STRENGTH AND COMFORT

Lay-Z-Spa's Beam construction is designed to offer superior structural stability while maintaining a comfortable surface for a luxurious, refreshing spa experience.



## SPECIFICATIONS

|                      | 60005                                  | 60006                                 |
|----------------------|--|---------------------------------------|
| WATER CAPACITY (80%) | 669 L (177 GAL.)                       | 177 GAL. (669 L)                      |
| INFLATED SIZE        | 1.80 M X 66 CM<br>(71" X 26")          | 71 IN. X 26 IN.<br>(1.80 M X 66 CM)   |
| INNER SIZE           | 1.32 M (52")                           | 52 IN. (1.32 M)                       |
| FILLED WEIGHT        | 696 KG (1,534 LBS)                     | 1,534 LBS (696 KG)                    |
| RATING               | 220-240V~50HZ, 2050W<br>AT 20°C (68°F) | 110-120V~ 60HZ, 12A<br>AT 68°F (20°C) |
| ACTUAL WATER FLOW    | 1,325 L/H (350 GAL./H)                 | 320 GAL./H (1,211 L/H)                |
| HEATING SYSTEM       | APPROX. 1.5-2.0°C/H<br>(3-4°F/H)       | APPROX. 2-3°F/H<br>(1.0-1.5°C/H)      |
| CERTIFICATION        | CE/GS(TUV-RL)/EAC/CM                   | CETL                                  |
| PACK/ GROSS WEIGHT   | 1 EA., 33.86 KG (74.65 LBS)            | 1 EA., 72.86 LBS. (33.29 KG)          |



# SPA FEATURES



FREEZE SHIELD™



NO TOOLS  
REQUIRED



40 °C

MAX TEMP  
40 °C (104 °F)



CAPACITY  
2-4 PEOPLE



AIRJET™  
MASSAGE  
SYSTEM



POWER SAVING  
TIMER

## DIGITAL CONTROL PANEL







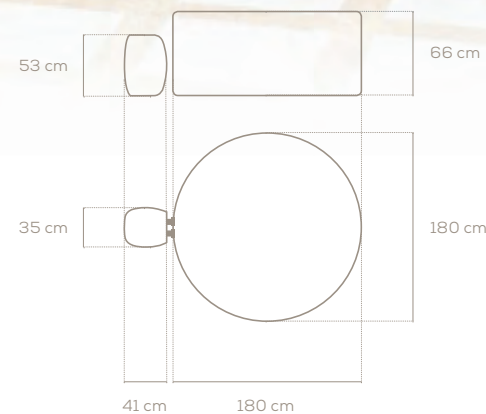


NEW  
GENERATION

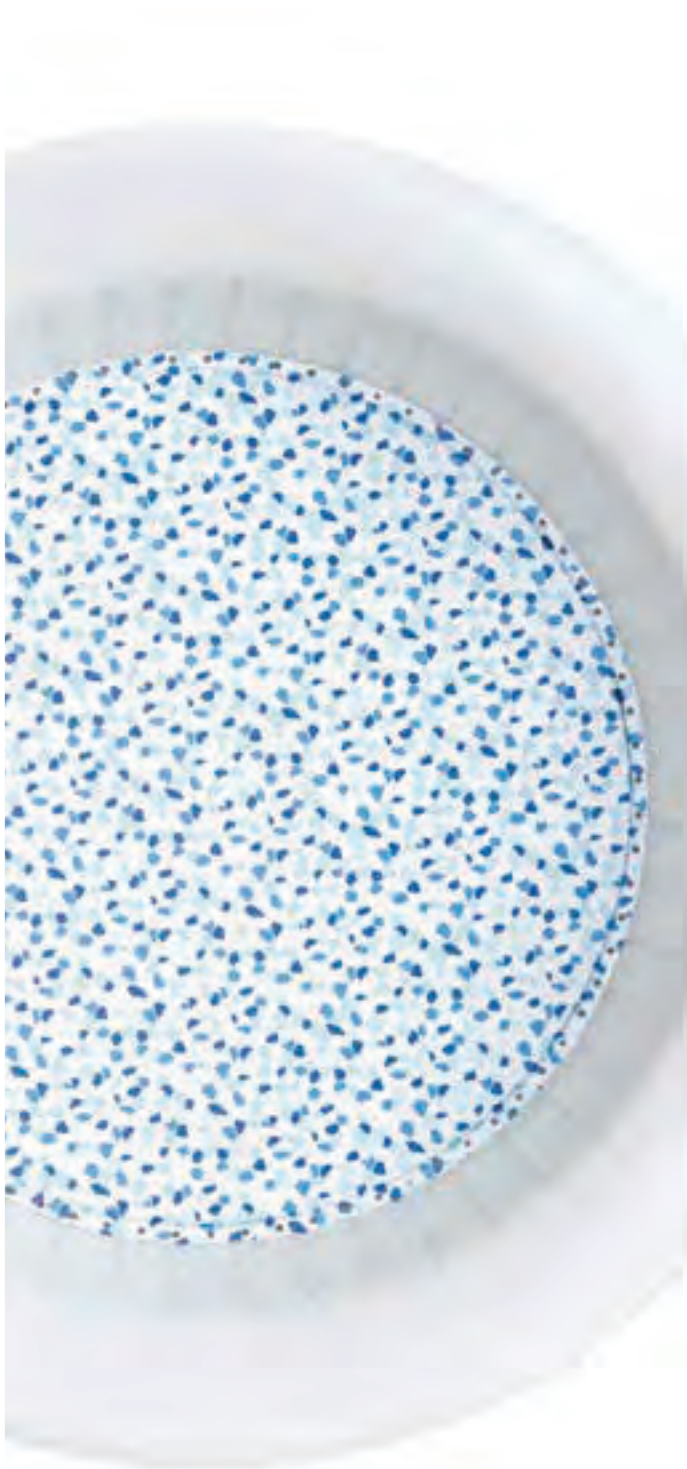


- Soothing AirJet™ bubble massage system (120 jets)
- Ultra-strong DuraPlus™ walls are stress tested to offer durability
- Freeze Shield™ automatic heating prevents water from freezing & damaging the spa
- Program the spa heater up to 40 days in advance for future use
- ChemConnect™ dispenser provides a stable level of chlorine throughout the spa
- Power-saving, timer-controlled heating system
- Digital control panel & spa pump with integrated filtration system includes cup holders and is accessible from inside the spa
- Reinforced cover with safety lock clips

Contents: 1 spa, 1 pool cover, 1 spa pump, filter cartridge (VI), 1 ChemConnect™ dispenser, repair patch, AirJet™ system







CANCUN 60003+60004



## DURAPLUS™ CONSTRUCTION

Both the outer and inner walls offer superior structural stability, providing puncture-resistance and protection against exposure to UV rays.



## BEAM CONSTRUCTION

### DELIVERING STRENGTH AND COMFORT

Lay-Z-Spa's Beam construction is designed to offer superior structural stability while maintaining a comfortable surface for a luxurious, refreshing spa experience.



## SPECIFICATIONS

|                      | 60003                                  | 60004                                 |
|----------------------|--|---------------------------------------|
| WATER CAPACITY (80%) | 669 L (177 GAL.)                       | 177 GAL. (669 L)                      |
| INFLATED SIZE        | 180 M X 66 CM<br>(71" X 26")           | 71 IN. X 26 IN.<br>(1.80 M X 66 CM)   |
| INNER SIZE           | 1.32 M (52")                           | 52 IN. (1.32 M)                       |
| FILLED WEIGHT        | 696 KG (1,534 LBS)                     | 1,534 LBS (696 KG)                    |
| RATING               | 220-240V~50HZ, 2050W<br>AT 20°C (68°F) | 110-120V~ 60HZ, 12A<br>AT 68°F (20°C) |
| ACTUAL WATER FLOW    | 1,325 L/H (350 GAL./H)                 | 320 GAL./H (1,211 L/H)                |
| HEATING SYSTEM       | APPROX. 1.5-2.0°C/H<br>(3-4°F/H)       | APPROX. 2-3°F/H<br>(1.0-1.5°C/H)      |
| CERTIFICATION        | CE/GS(TUV-RL)/EAC/CM                   | CETL                                  |
| PACK/ GROSS WEIGHT   | 1 EA., 33.86 KG (74.65 LBS)            | 1 EA., 72.86 LBS. (33.29 KG)          |

## SPA FEATURES



FREEZE SHIELD™



NO TOOLS  
REQUIRED



40 °C

MAX TEMP  
40 °C (104 °F)



CAPACITY  
2-4 PEOPLE



AIRJET™  
MASSAGE  
SYSTEM



POWER SAVING  
TIMER

## DIGITAL CONTROL PANEL









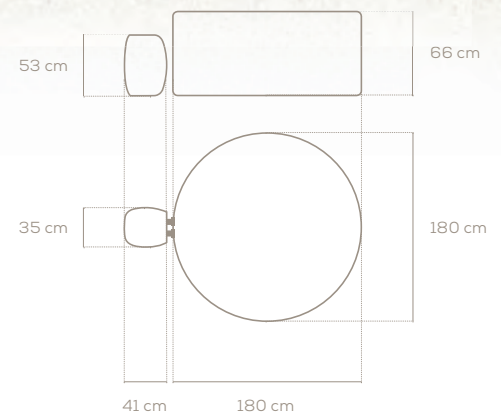


NEW GENERATION

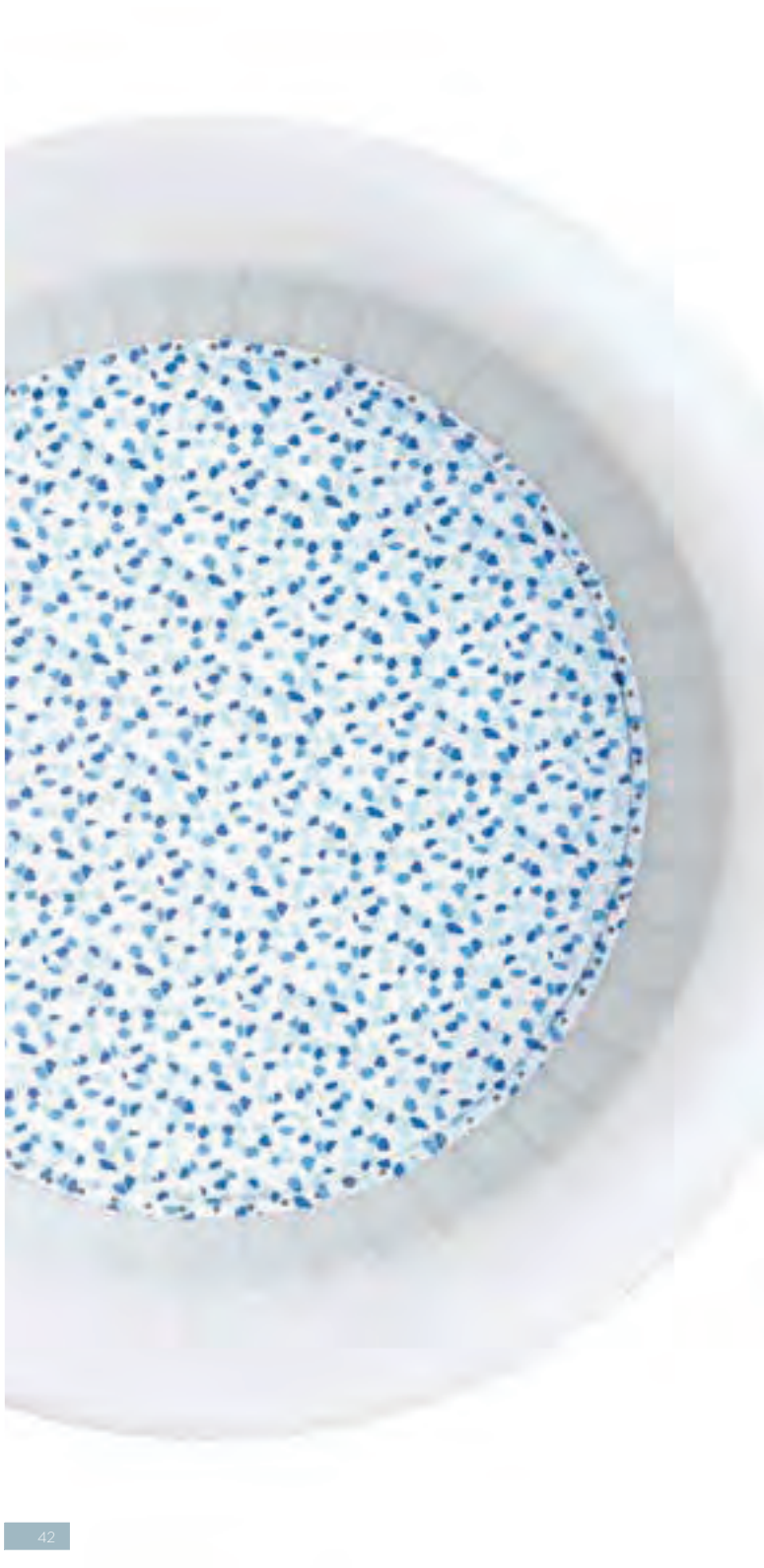


- Soothing AirJet™ bubble massage system (120 jets)
- Ultra-strong DuraPlus™ walls are stress tested to offer durability
- Freeze Shield™ automatic heating prevents water from freezing & damaging the spa
- Program the spa heater up to 40 days in advance for future use
- ChemConnect™ dispenser provides a stable level of chlorine throughout the spa
- 7-Color LED light uses 3 AAA batteries (Batteries not included)
- Power-saving, timer-controlled heating system
- Digital control panel & spa pump with integrated filtration system includes cup holders and is accessible from inside the spa
- Reinforced cover with safety lock clips

Contents: 1 spa, 1 pool cover, 1 spa pump, filter cartridge (VI), 1 ChemConnect™ dispenser, 1 LED light, repair patch, AirJet™ system







TAHITI 60007 + 60008



## DURAPLUS™ CONSTRUCTION

Both the outer and inner walls offer superior structural stability, providing puncture-resistance and protection against exposure to UV rays.



## BEAM CONSTRUCTION

### DELIVERING STRENGTH AND COMFORT

Lay-Z-Spa's Beam construction is designed to offer superior structural stability while maintaining a comfortable surface for a luxurious, refreshing spa experience.



## SPECIFICATIONS

|                      | 60007                                  | 60008                                 |
|----------------------|--|---------------------------------------|
| WATER CAPACITY (80%) | 669 L (177 GAL.)                       | 177 GAL. (669 L)                      |
| INFLATED SIZE        | 1.80 M X 66 CM<br>(71" X 26")          | 71 IN. X 26 IN.<br>(1.80 M X 66 CM)   |
| INNER SIZE           | 1.32 M (52")                           | 52 IN. (1.32 M)                       |
| FILLED WEIGHT        | 696 KG (1,534 LBS)                     | 1,534 LBS (696 KG)                    |
| RATING               | 220-240V~50HZ, 2050W<br>AT 20°C (68°F) | 110-120V~ 60HZ, 12A<br>AT 68°F (20°C) |
| ACTUAL WATER FLOW    | 1,325 L/H (350 GAL./H)                 | 320 GAL./H (1,211 L/H)                |
| HEATING SYSTEM       | APPROX. 1.5-2.0°C/H<br>(3-4°F/H)       | APPROX. 2-3°F/H<br>(1.0-1.5°C/H)      |
| CERTIFICATION        | CE/GS(TUV-RL)/EAC/CM                   | CETL                                  |
| PACK/ GROSS WEIGHT   | 1 EA., 33.96 KG (74.87 LBS)            | 1 EA., 73.61 LBS. (33.39 KG)          |

# SPA FEATURES



FREEZE SHIELD™



NO TOOLS  
REQUIRED



40 °C

MAX TEMP  
40 °C (104 °F)



CAPACITY  
2-4 PEOPLE

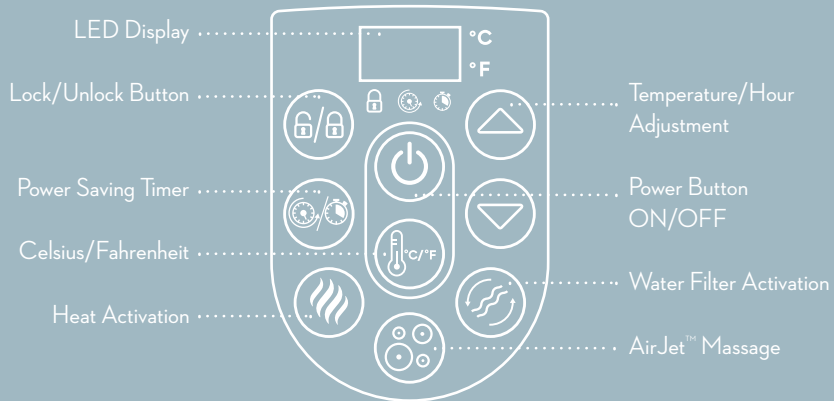


AIRJET™  
MASSAGE  
SYSTEM



POWER SAVING  
TIMER

## DIGITAL CONTROL PANEL







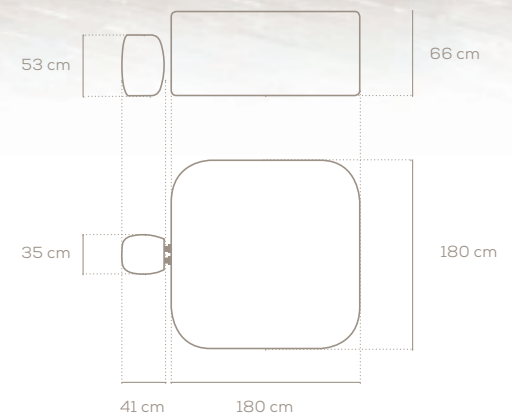


NEW



- Soothing AirJet™ bubble massage system (140 jets)
- Ultra-strong DuraPlus™ walls are stress tested to offer durability
- Freeze Shield™ automatic heating prevents water from freezing & damaging the spa
- Program the spa heater up to 40 days in advance for future use
- ChemConnect™ dispenser provides a stable level of chlorine throughout the spa
- Power-saving, timer-controlled heating system
- Digital control panel & spa pump with integrated filtration system includes cup holders and is accessible from inside the spa
- Reinforced cover with safety lock clips

Contents: 1 spa, 1 pool cover, 1 spa pump, filter cartridge (VI), 1 ChemConnect™ dispenser, repair patch, AirJet™ system







IBIZA 60015+60016



## DURAPLUS™ CONSTRUCTION

Both the outer and inner walls offer superior structural stability, providing puncture-resistance and protection against exposure to UV rays.



## BEAM CONSTRUCTION

### DELIVERING STRENGTH AND COMFORT

Lay-Z-Spa's Beam construction is designed to offer superior structural stability while maintaining a comfortable surface for a luxurious, refreshing spa experience.



## SPECIFICATIONS

|                      | 60015  | 60016   |
|----------------------|--|---|
| WATER CAPACITY (70%) | 778 L (205 GAL.)                             | 205 GAL. (778 L)                                      |
| INFLATED SIZE        | 1.80 M X 1.80 M X 66 CM<br>(71" X 71" X 26") | 71 IN. X 71 IN. X 26 IN.<br>(1.80 M X 1.80 M X 66 CM) |
| INNER SIZE           | 1.32 M X 1.32M (52" X 52")                   | 52 IN. X 52 IN. (1.32 M X 1.32 M)                     |
| FILLED WEIGHT        | 807 KG (1,779 LBS)                           | 1,779 LBS (807 KG)                                    |
| RATING               | 220-240V~50HZ, 2050W<br>AT 20°C (68°F)       | 110-120V~ 60HZ, 12A<br>AT 68°F (20°C)                 |
| ACTUAL WATER FLOW    | 1,325 L/H (350 GAL./H)                       | 320 GAL./H (1,211 L/H)                                |
| HEATING SYSTEM       | APPROX. 1.5-2.0°C/H<br>(3-4°F/H)             | APPROX. 2-3°F/H (1.0-1.5°C/H)                         |
| CERTIFICATION        | CE/GS(TUV-RL)/EAC/CM                         | CETL  |
| PACK/ GROSS WEIGHT   | 1 EA., 37.61 KG (82.92 LBS)                  | 1 EA., 81.70 LBS. (37.06 KG)                          |

## SPA FEATURES



FREEZE SHIELD™



NO TOOLS  
REQUIRED



40 °C

MAX TEMP  
40 °C (104 °F)



CAPACITY  
4-6 PEOPLE

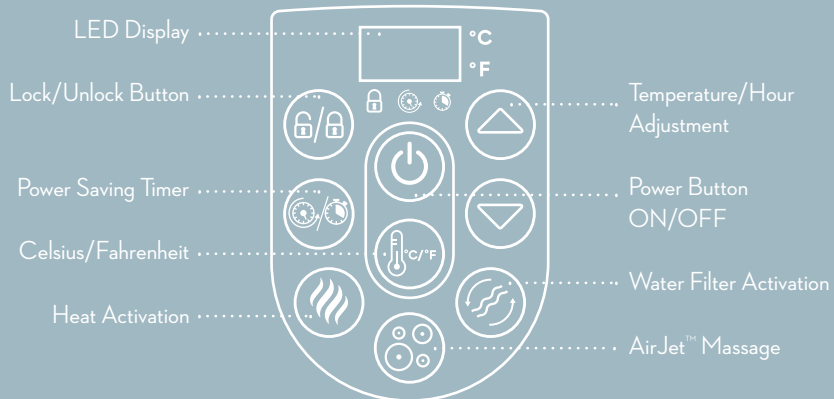


AIRJET™  
MASSAGE  
SYSTEM



POWER SAVING  
TIMER

## DIGITAL CONTROL PANEL







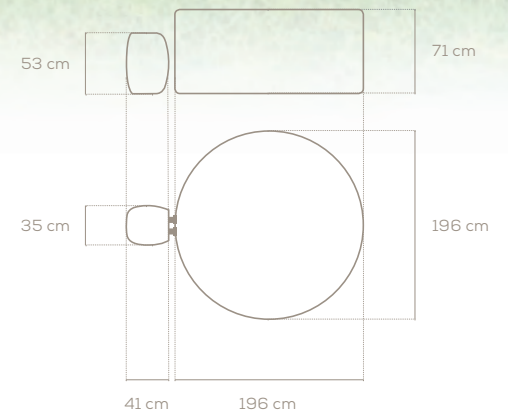
LAY-Z-SPA.  
HONOLULU



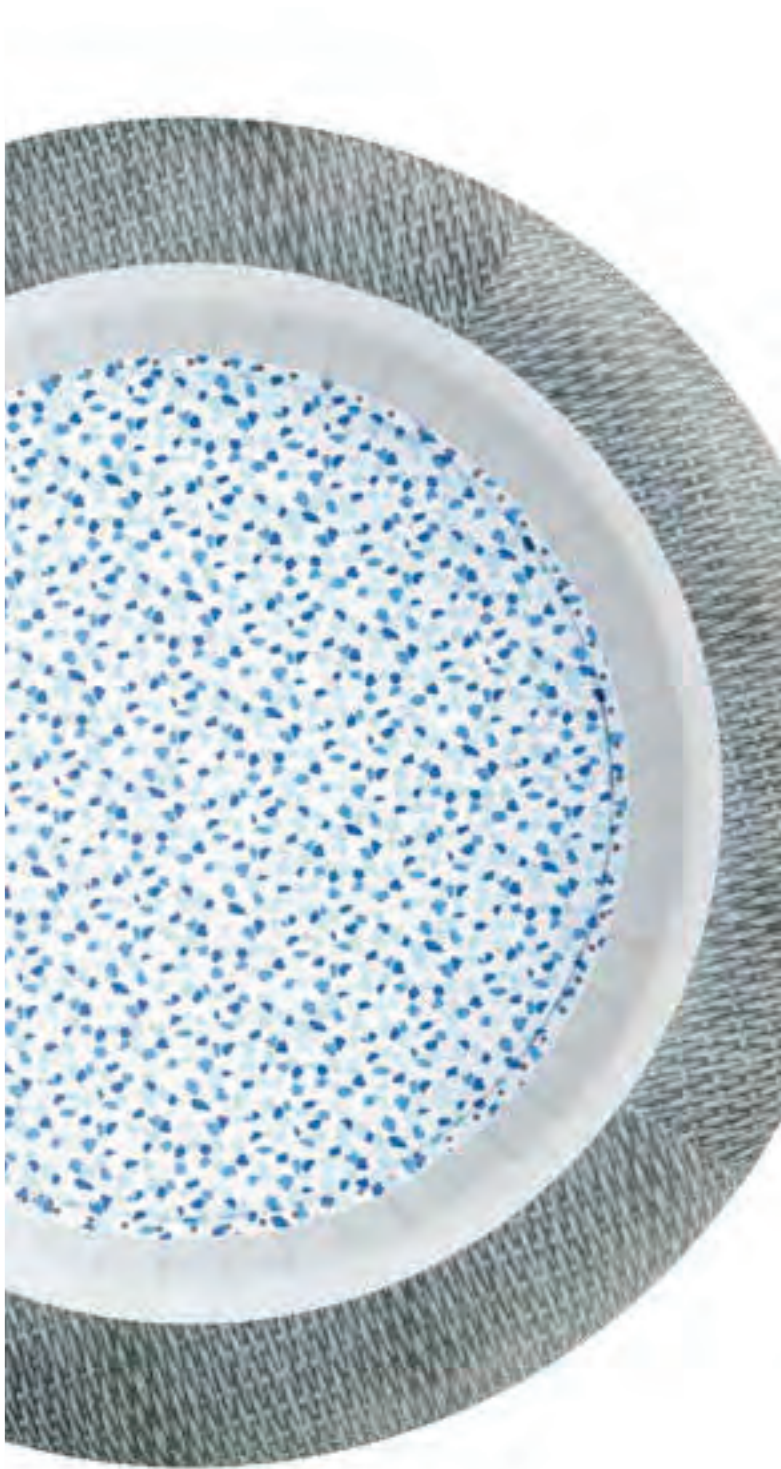


- Soothing AirJet™ bubble massage system (140 jets)
- Ultra-strong DuraPlus™ internal beams and outer walls offer superior structural stability
- Freeze Shield™ automatic heating prevents water from freezing & damaging the spa
- Program the spa heater up to 40 days in advance for future use
- ChemConnect™ dispenser provides a stable level of chlorine throughout the spa
- Power-saving, timer-controlled heating system
- Digital control panel & spa pump with integrated filtration system includes cup holders and is accessible from inside the spa
- Rattan print on outside with mosaic print on the inside
- Reinforced cover with safety lock clips

Contents: 1 spa, 1 pool cover, 1 spa pump, 1 ChemConnect™ dispenser, filter cartridge (VI), repair kit, AirJet™ system







HONOLULU 60019 + 60020



## DURAPLUS™ CONSTRUCTION

Internal beams offer superior structural stability that can retain their shape no matter how many times the spa is inflated or deflated.



## Y-BEAM CONSTRUCTION

### DELIVERING STRENGTH AND COMFORT

Lay-Z-Spa's Y-Beam construction is designed to offer superior structural stability while maintaining a comfortable surface for a luxurious, refreshing spa experience.



## SPECIFICATIONS

|                      | 60019                                  | 60020                                 |
|----------------------|--|---------------------------------------|
| WATER CAPACITY (80%) | 916 L (242 GAL.)                       | 242 GAL. (916 L)                      |
| INFLATED SIZE        | 1.96 M X 71 CM<br>(77" X 28")          | 77 IN. X 28 IN.<br>(1.96 M X 71 CM)   |
| INNER SIZE           | 1.46 M (57")                           | 57 IN. (1.46 M)                       |
| FILLED WEIGHT        | 954 KG (2,103 LBS)                     | 2,103 LBS (954 KG)                    |
| RATING               | 220-240V~50HZ, 2050W<br>AT 20°C (68°F) | 110-120V~ 60HZ, 12A<br>AT 68°F (20°C) |
| ACTUAL WATER FLOW    | 1,325 L/H (350 GAL./H)                 | 320 GAL./H (1,211 L/H)                |
| HEATING SYSTEM       | APPROX. 1.5-2.0°C/H<br>(3-4°F/H)       | APPROX. 2-3°F/H<br>(1.0-1.5°C/H)      |
| CERTIFICATION        | CE/EAC/GS(TUV-RL)/CM                   | CETL                                  |
| PACK/ GROSS WEIGHT   | 1 EA., 41.30 KG (91.06 LBS)            | 1 EA., 87.86 LBS. (39.85 KG)          |

# SPA FEATURES



FREEZE SHIELD™



NO TOOLS  
REQUIRED



40 °C

MAX TEMP  
40 °C (104 °F)



CAPACITY  
4-6 PEOPLE



AIRJET™  
MASSAGE  
SYSTEM



POWER SAVING  
TIMER

## DIGITAL CONTROL PANEL







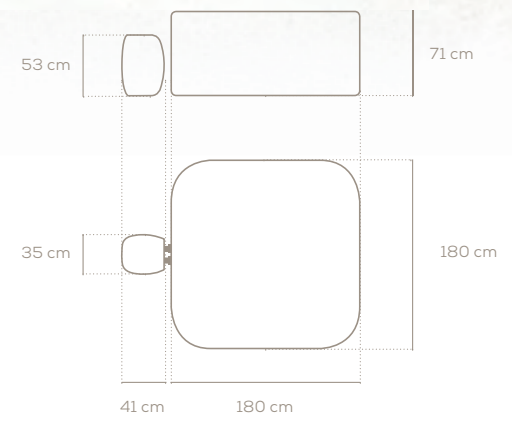


NEW GENERATION



- Soothing AirJet™ bubble massage system (140 jets)
- Ultra-strong DuraPlus™ internal beams and outer walls offer superior structural stability
- Freeze Shield™ automatic heating prevents water from freezing & damaging the spa
- Program the spa heater up to 40 days in advance for future use
- ChemConnect™ dispenser provides a stable level of chlorine throughout the spa
- Power-saving, timer-controlled heating system
- Digital control panel & spa pump with integrated filtration system includes cup holders and is accessible from inside the spa
- Reinforced cover with safety lock clips

Contents: 1 spa, 1 pool cover, 1 spa pump, 1 ChemConnect™ dispenser, filter cartridge (VI), repair kit, AirJet™ system







HAWAII 60021 + 60022



## DURAPLUS™ CONSTRUCTION

Internal beams offer superior structural stability that can retain their shape no matter how many times the spa is inflated or deflated.



## Y-BEAM CONSTRUCTION

### DELIVERING STRENGTH AND COMFORT

Lay-Z-Spa's Y-Beam construction is designed to offer superior structural stability while maintaining a comfortable surface for a luxurious, refreshing spa experience.



## SPECIFICATIONS

|                      | 60021  | 60022   |
|----------------------|--|---|
| WATER CAPACITY (80%) | 840 L (222 GAL.)                             | 222 GAL. (840 L)                                      |
| INFLATED SIZE        | 1.80 M X 1.80 M X 71 CM<br>(71" X 71" X 28") | 71 IN. X 71 IN. X 28 IN.<br>(1.80 M X 1.80 M X 71 CM) |
| INNER SIZE           | 1.30 M X 1.30 M (51" X 51")                  | 51 IN. X 51 IN. (1.30 M X 1.30 M)                     |
| FILLED WEIGHT        | 879 KG (1,938 LBS)                           | 1,938 LBS (879 KG)                                    |
| RATING               | 220-240V~50HZ, 2050W<br>AT 20°C (68°F)       | 110-120V~ 60HZ, 12A<br>AT 68°F (20°C)                 |
| ACTUAL WATER FLOW    | 1,325 L/H (350 GAL./H)                       | 320 GAL./H (1,211 L/H)                                |
| HEATING SYSTEM       | APPROX. 1.5-2.0°C/H<br>(3-4°F/H)             | APPROX. 2-3°F/H<br>(1.0-1.5°C/H)                      |
| CERTIFICATION        | CE/EAC/GS(TUV-RL)/CM                         | CETL  |
| PACK/ GROSS WEIGHT   | 1 EA., 42.49 KG (93.67 LBS)                  | 1 EA., 90.47 LBS. (41.04 KG)                          |

# SPA FEATURES



FREEZE SHIELD™



NO TOOLS  
REQUIRED



40 °C

MAX TEMP  
40 °C (104 °F)



CAPACITY  
4-6 PEOPLE



AIRJET™  
MASSAGE  
SYSTEM



POWER SAVING  
TIMER

## DIGITAL CONTROL PANEL









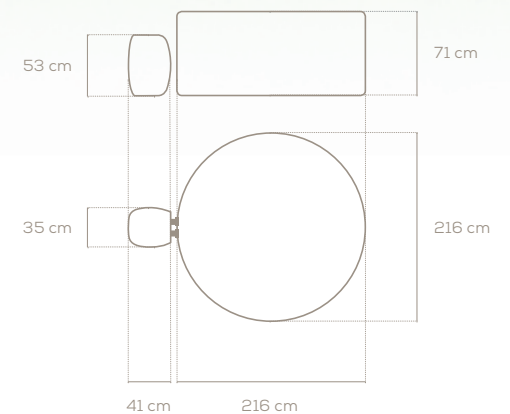


NEW  
GENERATION



- Soothing AirJet™ bubble massage system (180 jets)
- Ultra-strong DuraPlus™ internal beams and outer walls offer superior structural stability
- Freeze Shield™ automatic heating prevents water from freezing & damaging the spa
- Program the spa heater up to 40 days in advance for future use
- ChemConnect™ dispenser provides a stable level of chlorine throughout the spa
- Power-saving, timer-controlled heating system
- Digital control panel & spa pump with integrated filtration system includes cup holders and is accessible from inside the spa
- Rattan print on outside with mosaic print on the inside
- Reinforced cover with safety lock clips

Contents: 1 spa, 1 pool cover, 1 spa pump, 1 ChemConnect™ dispenser, filter cartridge (VI), repair kit, AirJet™ system







ST. MORITZ 60023+60024



## DURAPLUS™ CONSTRUCTION

Internal beams offer superior structural stability that can retain their shape no matter how many times the spa is inflated or deflated.



## Y-BEAM CONSTRUCTION

### DELIVERING STRENGTH AND COMFORT

Lay-Z-Spa's Y-Beam construction is designed to offer superior structural stability while maintaining a comfortable surface for a luxurious, refreshing spa experience.



## SPECIFICATIONS

|                      | 60023                                  | 60024                                 |
|----------------------|--|---------------------------------------|
| WATER CAPACITY (80%) | 1,190 L (314 GAL.)                     | 314 GAL. (1,190 L)                    |
| INFLATED SIZE        | 2.16 M X 71 CM<br>(85" X 28")          | 85 IN. X 28 IN.<br>(2.16 M X 71 CM)   |
| INNER SIZE           | 1.66 M (65")                           | 65 IN. (1.66M)                        |
| FILLED WEIGHT        | 1,210 KG (2,668 LBS)                   | 2,668 LBS (1,210 KG)                  |
| RATING               | 220-240V~50HZ, 2050W<br>AT 20°C (68°F) | 110-120V~ 60HZ, 12A<br>AT 68°F (20°C) |
| ACTUAL WATER FLOW    | 1,325 L/H (350 GAL./H)                 | 320 GAL./H (1,211 L/H)                |
| HEATING SYSTEM       | APPROX. 1.0-1.5°C/H<br>(2-3°F/H)       | APPROX. 1.0-2.0°F/H<br>(0.5-1.0°C/H)  |
| CERTIFICATION        | CE/EAC/GS(TUV-RL)/CM                   | CETL                                  |
| PACK/ GROSS WEIGHT   | 1 EA., 45.09 KG (100.74 LBS)           | 1 EA., 97.50 LBS. (44.23 KG)          |

# SPA FEATURES



FREEZE SHIELD™



NO TOOLS  
REQUIRED



40 °C

MAX TEMP  
40 °C (104 °F)



CAPACITY  
5-7 PEOPLE



AIRJET™  
MASSAGE  
SYSTEM



POWER SAVING  
TIMER

## DIGITAL CONTROL PANEL







LAY-Z-SPA.  
HELSINKI



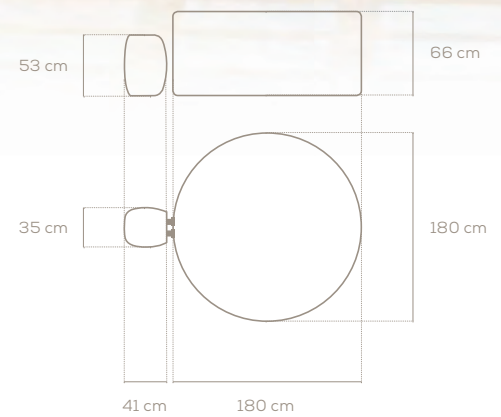


NEW GENERATION



- Soothing AirJet™ bubble massage system (180 jets)
- Walls are made of drop stitch material, providing a strong and durable hard-sided spa
- Freeze Shield™ automatic heating prevents water from freezing & damaging the spa
- Program the spa heater up to 40 days in advance for future use
- ChemConnect™ dispenser provides a stable level of chlorine throughout the spa
- Power-saving, timer-controlled heating system
- Digital control panel & spa pump with integrated filtration system includes cup holders and is accessible from inside the spa
- Reinforced cover with safety lock clips

Contents: 1 spa, 1 pool cover, 1 spa heater, 1 ChemConnect™ dispenser, 1 high pressure hand pump, filter cartridge (VI), repair kit, AirJet™ system





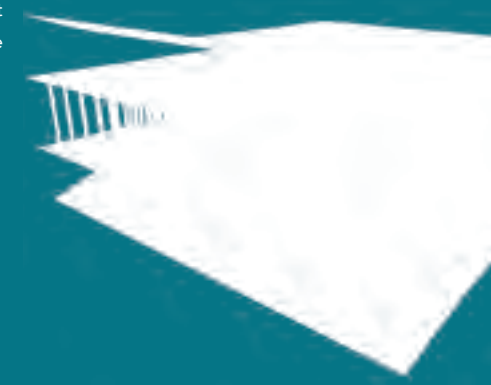


HELSINKI 60025 + 60026

## DROP STITCH MATERIAL

### STRENGTH & DURABILITY

The inflated walls are made from drop stitch material, providing unparalleled strength and durability. Thousands of fine threads securely connect the sidewalls, which seal in air to keep the spa inflated. This material can support considerable weight while still being light and portable when deflated.



## SPECIFICATIONS

|                      | 60025                                  | 60026                                 |
|----------------------|--|---------------------------------------|
| WATER CAPACITY (80%) | 1,123 L (297 GAL.)                     | 297 GAL. (1,123 L)                    |
| INFLATED SIZE        | 1.80 M X 66 CM<br>(71" X 26")          | 71 IN. X 26 IN.<br>(1.80 M X 66 CM)   |
| INNER SIZE           | 1.70 M (67")                           | 67 IN. (1.70 M)                       |
| FILLED WEIGHT        | 1,155 KG (2,548 LBS)                   | 2,548 LBS (1,155 KG)                  |
| RATING               | 220-240V~50HZ, 2050W<br>AT 20°C (68°F) | 110-120V~ 60HZ, 12A<br>AT 68°F (20°C) |
| ACTUAL WATER FLOW    | 1,325 L/H (350 GAL./H)                 | 320 GAL./H (1,211 L/H)                |
| HEATING SYSTEM       | APPROX. 1.0-1.5°C/H<br>(2-3°F/H)       | APPROX. 1.0-2.0°F/H<br>(0.5-1.0°C/H)  |
| CERTIFICATION        | CE/EAC/GS(TUV-RL)                      | CETL                                  |
| PACK/ GROSS WEIGHT   | 1 EA., 38.02 KG (83.81 LBS)            | 1 EA., 81.28 LBS. (36.87 KG)          |

# SPA FEATURES



FREEZE SHIELD™



NO TOOLS  
REQUIRED



40 °C

MAX TEMP  
40 °C (104 °F)



CAPACITY  
5-7 PEOPLE

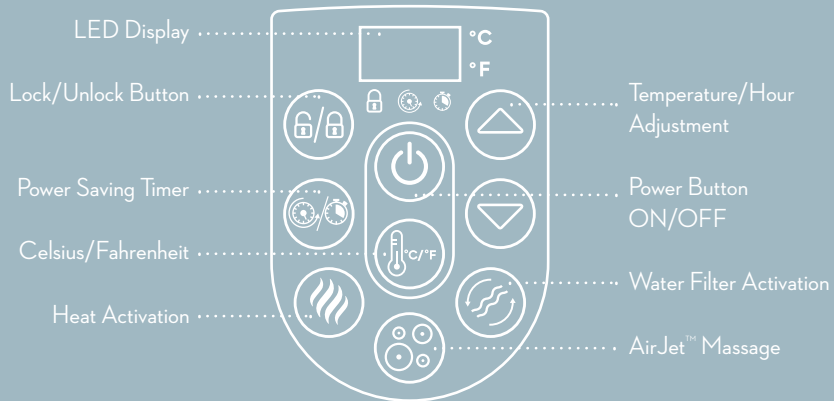


AIRJET™  
MASSAGE  
SYSTEM

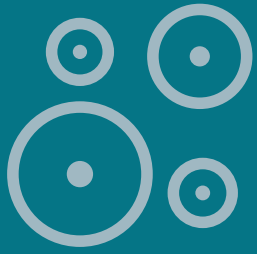


POWER SAVING  
TIMER

## DIGITAL CONTROL PANEL







# AIRJET PLUS™ SYSTEM

MASSAGING BUBBLES  
ARE THE PERFECT WAY  
TO UNWIND.

The AirJet Plus system releases bubbles from both the bottom and the sidewalls of the spa to target both the legs and back.



## BESTWAY SMART HUB™ APP

With the Bestway Smart Hub™ app, control is right in the palm of your hand. Compatible with smart devices, the Spa Control section of the app lets users set their spa to the perfect temperature. They can also activate the Power-Saving Timer, the water filter, and the AirJet massage system with the touch of a button!



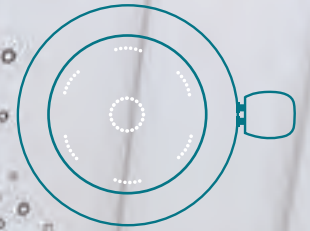


## MULTI-FUNCTION PUMP

The included spa pump is convenient and accessible, complete with a new digital interface and cup holders. This pump inflates the spa, starts the heating and massage systems, and can activate the filtration system. The best part is that the new design now allows users to adjust their needs without standing up or exiting the spa.



AIRJET  
POSITIONING



COMBINATION  
HEAT & AIR MASSAGE





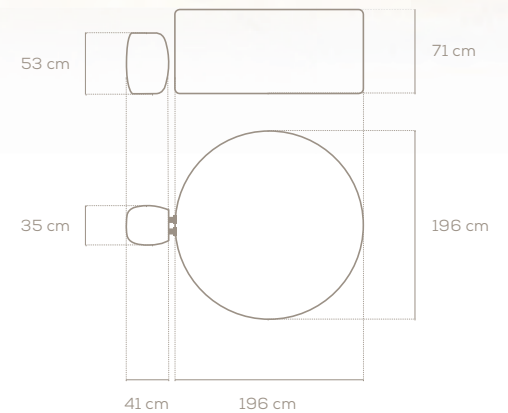


NEW  
GENERATION



- Soothing AirJet Plus™ targeted bubble massage system (140 jets)
- Massage regulator provides 2 intensity level options
- Ultra-strong DuraPlus™ internal beams and outer walls offer superior structural stability
- Freeze Shield™ automatic heating prevents water from freezing & damaging the spa
- Program the spa heater up to 40 days in advance for future use
- Built-in Wi-Fi module, spa can be controlled through a phone app
- ChemConnect™ dispenser provides a stable level of chlorine throughout the spa
- Power-saving, timer-controlled heating system
- Digital control panel & spa pump with integrated filtration system includes cup holders and is accessible from inside the spa
- Reinforced cover with safety lock clips

Contents: 1 spa, 1 pool cover, 1 spa pump, 1 ChemConnect™ dispenser, filter cartridge (VI), repair kit, AirJet Plus™ system







MILAN 60029 + 60030



## DURAPLUS™ CONSTRUCTION

Internal beams offer superior structural stability that can retain their shape no matter how many times the spa is inflated or deflated.



## Y-BEAM CONSTRUCTION

### DELIVERING STRENGTH AND COMFORT

Lay-Z-Spa's Y-Beam construction is designed to offer superior structural stability while maintaining a comfortable surface for a luxurious, refreshing spa experience.



## SPECIFICATIONS

|                      | 60029                                  | 60030                                 |
|----------------------|--|---------------------------------------|
| WATER CAPACITY (80%) | 916 L (242 GAL.)                       | 242 GAL. (916 L)                      |
| INFLATED SIZE        | 1.96 M X 71 CM<br>(77" X 28")          | 77 IN. X 28 IN.<br>(1.96 M X 71 CM)   |
| INNER SIZE           | 1.46 M (57")                           | 57 IN. ( 1.46 M)                      |
| FILLED WEIGHT        | 954 KG (2,103 LBS)                     | 2,103 LBS (954 KG)                    |
| RATING               | 220-240V~50HZ, 2050W<br>AT 20°C (68°F) | 110-120V~ 60HZ, 12A<br>AT 68°F (20°C) |
| ACTUAL WATER FLOW    | 1,325 L/H (350 GAL./H)                 | 320 GAL./H (1,211 L/H)                |
| HEATING SYSTEM       | APPROX. 1.5-2.0°C/H<br>(3-4°F/H)       | APPROX. 2-3°F/H<br>(1.0-1.5°C/H)      |
| CERTIFICATION        | CE/EAC/GS(TUV-RL)/CM                   | CETL                                  |
| PACK/ GROSS WEIGHT   | 1 EA., 41.44 KG (91.35 LBS)            | 1 EA., 88.16 LBS. (39.99 KG)          |

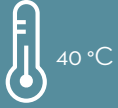
# SPA FEATURES



FREEZE SHIELD™



NO TOOLS  
REQUIRED



MAX TEMP  
40 °C (104 °F)



CAPACITY  
4-6 PEOPLE



AIRJET PLUS™  
MASSAGE  
SYSTEM



POWER SAVING  
TIMER



MASSAGE  
REGULATION  
2 Intensity Levels



WIFI  
CONNECTION



# DIGITAL CONTROL PANEL















# VANCOUVER 60027+60028

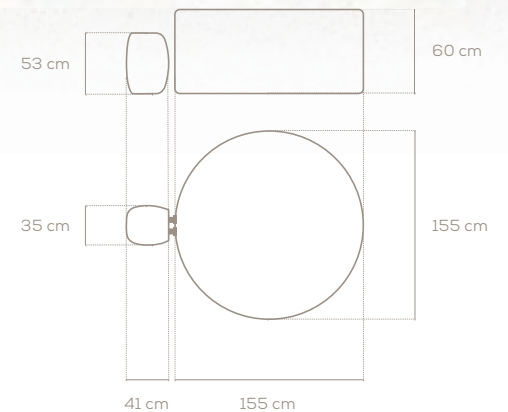


NEW



- Soothing AirJet Plus™ targeted bubble massage system (140 jets)
- Massage regulator provides 2 intensity level options
- Walls are made of drop stitch material, providing a strong and durable hard-sided spa
- Freeze Shield™ automatic heating prevents water from freezing & damaging the spa
- Program the spa heater up to 40 days in advance for future use
- Built-in Wi-Fi module, spa can be controlled through a phone app
- ChemConnect™ dispenser provides a stable level of chlorine throughout the spa
- Power-saving, timer-controlled heating system
- Digital control panel & spa pump with integrated filtration system includes cup holders and is accessible from inside the spa
- Reinforced cover with safety lock clips

Contents: 1 spa, 1 pool cover, 1 spa heater, 1 ChemConnect™ dispenser, 1 high pressure hand pump, filter cartridge (VI), repair kit, AirJet Plus™ system





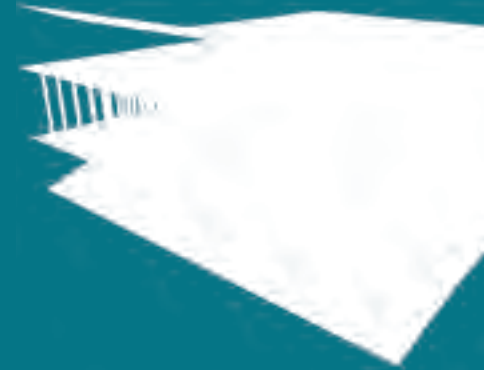


VANCOUVER 60027 + 60028

## DROP STITCH MATERIAL

### STRENGTH & DURABILITY

The inflated walls are made from drop stitch material, providing unparalleled strength and durability. Thousands of fine threads securely connect the sidewalls, which seal in air to keep the spa inflated. This material can support considerable weight while still being light and portable when deflated.



## SPECIFICATIONS

|                      | 60027                                  | 60028                                 |
|----------------------|--|---------------------------------------|
| WATER CAPACITY (80%) | 804 L (213 GAL.)                       | 213 GAL. (804 L)                      |
| INFLATED SIZE        | 155 M X 60 CM<br>(61" X 24")           | 61 IN. X 24 IN.<br>(1.55 M X 60 CM)   |
| INNER SIZE           | 1.45 M (57")                           | 57 IN. (1.45 M)                       |
| FILLED WEIGHT        | 831 KG (1,833 LBS)                     | 1,833 LBS (831 KG)                    |
| RATING               | 220-240V~50HZ, 2050W<br>AT 20°C (68°F) | 110-120V~ 60HZ, 12A<br>AT 68°F (20°C) |
| ACTUAL WATER FLOW    | 1,325 L/H (350 GAL./H)                 | 320 GAL./H (1,211 L/H)                |
| HEATING SYSTEM       | APPROX. 1.5-2.0°C/H<br>(3-4°F/H)       | APPROX. 2-3°F/H<br>(1.0-1.5°C/H)      |
| CERTIFICATION        | CE/EAC/GS(TUV-RL)                      | CETL                                  |
| PACK/ GROSS WEIGHT   | 1 EA., 33.36 KG (73.55 LBS)            | 1 EA., 71.80 LBS. (32.57 KG)          |

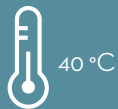
# SPA FEATURES



FREEZE SHIELD™



NO TOOLS  
REQUIRED



MAX TEMP  
40 °C (104 °F)



CAPACITY  
3-5 PEOPLE



AIRJET PLUS™  
MASSAGE  
SYSTEM



POWER SAVING  
TIMER



MASSAGE  
REGULATION  
2 Intensity Levels



WIFI  
CONNECTION

## DIGITAL CONTROL PANEL



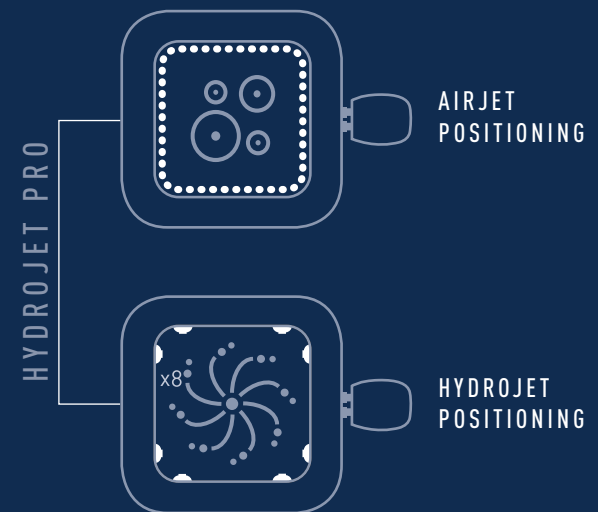




# HYDROJET PRO™ SYSTEM

PERFECT SPA  
RELAXATION AT YOUR  
FINGERTIPS.

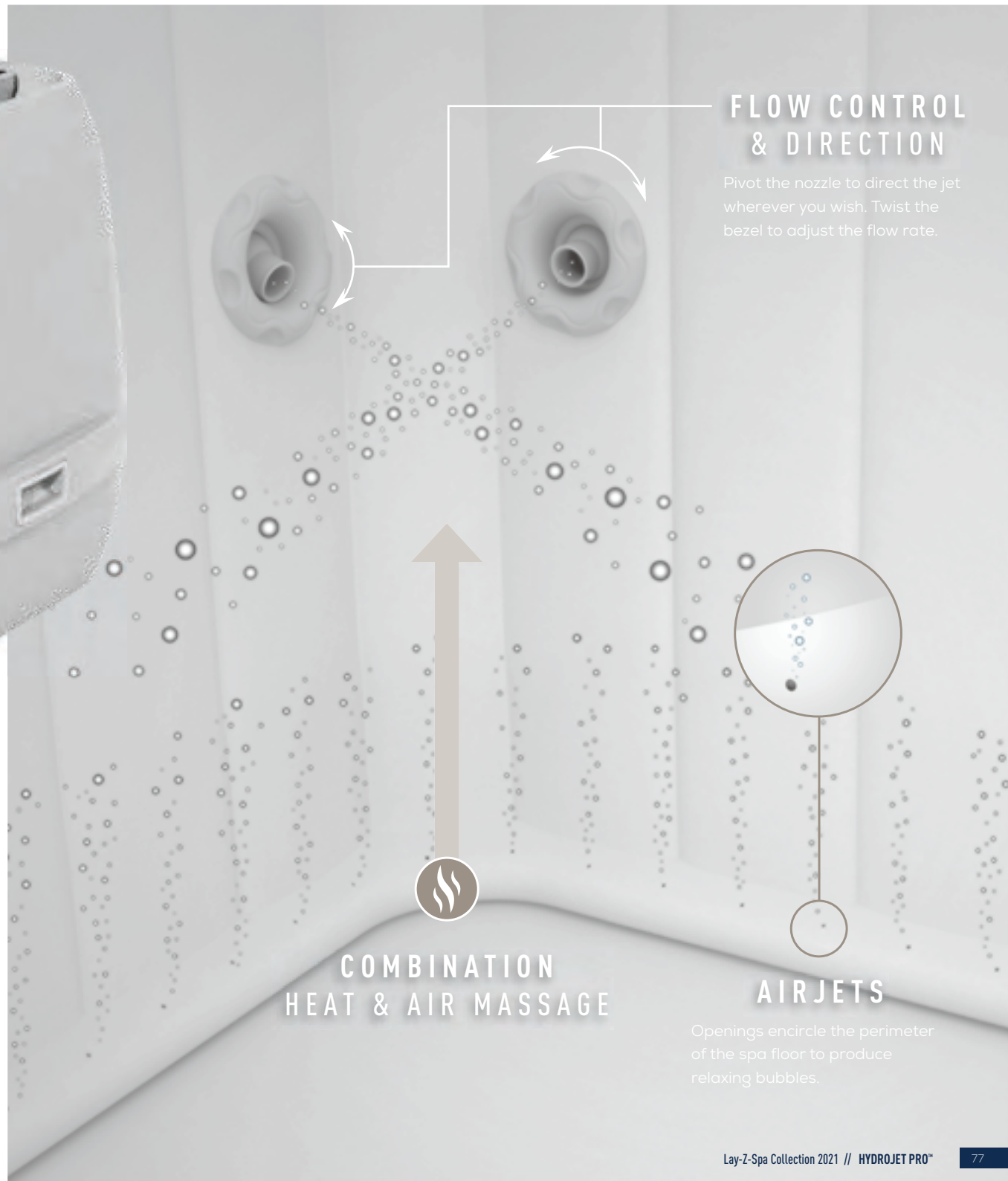
HydroJet Pro is the best of both worlds! Adjustable nozzles that release water bubbles combined with AirJets along the bottom provide the ultimate hydrotherapy massage.





## MULTI-FUNCTION PUMP

The included spa pump is convenient and accessible, complete with a new digital interface and cup holders. This pump inflates the spa, starts the heating and massage systems, and can activate the filtration system. The best part is that the new design now allows users to adjust their needs without standing up or exiting the spa.



## FLOW CONTROL & DIRECTION

Pivot the nozzle to direct the jet wherever you wish. Twist the bezel to adjust the flow rate.

## COMBINATION HEAT & AIR MASSAGE

## AIRJETS

Openings encircle the perimeter of the spa floor to produce relaxing bubbles.







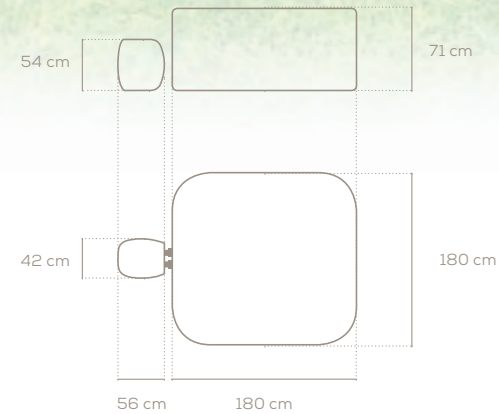


NEW GENERATION



- Hydrodynamic water jetstream and air bubble massage system (8 jetstream nozzles and 140 jets)
- Ultra-strong DuraPlus™ internal beams and outer walls offer superior structural stability
- Freeze Shield™ automatic heating prevents water from freezing & damaging the spa
- Program the spa heater up to 40 days in advance for future use
- ChemConnect™ dispenser provides a stable level of chlorine throughout the spa
- Power-saving, timer-controlled heating system
- Digital control panel & spa pump with integrated filtration system includes cup holders and is accessible from inside the spa
- Reinforced cover with safety lock clips

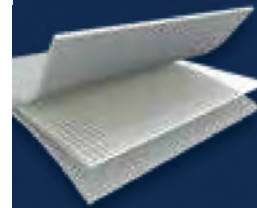
Contents: 1 spa, 1 pool cover, 1 spa pump, 1 ChemConnect™ dispenser, filter cartridge (VI), repair kit, HydroJet Pro™ system





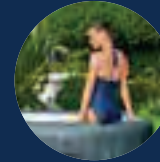


HAWAII 60031 + 60032



## DURAPLUS™ CONSTRUCTION

Internal beams offer superior structural stability that can retain their shape no matter how many times the spa is inflated or deflated.



## Y-BEAM CONSTRUCTION

### DELIVERING STRENGTH AND COMFORT

Lay-Z-Spa's Y-Beam construction is designed to offer superior structural stability while maintaining a comfortable surface for a luxurious, refreshing spa experience.



## SPECIFICATIONS

|                             | 60031  | 60032   |
|-----------------------------|--|---|
| <b>WATER CAPACITY (70%)</b> | 795 L (210 GAL.)                             | 210 GAL. (795 L)                                      |
| <b>INFLATED SIZE</b>        | 1.80 M X 1.80 M X 71 CM<br>(71" X 71" X 28") | 71 IN. X 71 IN. X 28 IN.<br>(1.80 M X 1.80 M X 71 CM) |
| <b>INNER SIZE</b>           | 1.30 M X 1.30 M (51" X 51")                  | 51 IN. X 51 IN. (1.30 M X 1.30 M)                     |
| <b>FILLED WEIGHT</b>        | 848 KG (1,869 LBS)                           | 1,869 LBS (848 KG)                                    |
| <b>RATING</b>               | 220-240V~50HZ, 2050W<br>AT 20°C (68°F)       | 110-120V~ 60HZ, 12A<br>AT 68°F (20°C)                 |
| <b>ACTUAL WATER FLOW</b>    | 1,325 L/H (350 GAL./H)                       | 320 GAL./H (1,211 L/H)                                |
| <b>HEATING SYSTEM</b>       | APPROX. 1.5-2.0°C/H<br>(3-4°F/H)             | APPROX. 2-3°F/H<br>(1.0~1.5°C/H)                      |
| <b>CERTIFICATION</b>        | CE/EAC/TUV(ONLY FOR<br>1060031NOX20)/CM      | CETL  |
| <b>PACK/ GROSS WEIGHT</b>   | 1 EA., 60.36 KG (133.07 LBS)                 | 1 EA., 134.02 LBS. (60.79 KG)                         |

# SPA FEATURES



FREEZE SHIELD™



NO TOOLS  
REQUIRED



40 °C

MAX TEMP  
40 °C (104 °F)



CAPACITY  
4-6 PEOPLE



HYDROJET  
PRO™ MASSAGE  
SYSTEM



POWER SAVING  
TIMER



## DIGITAL CONTROL PANEL







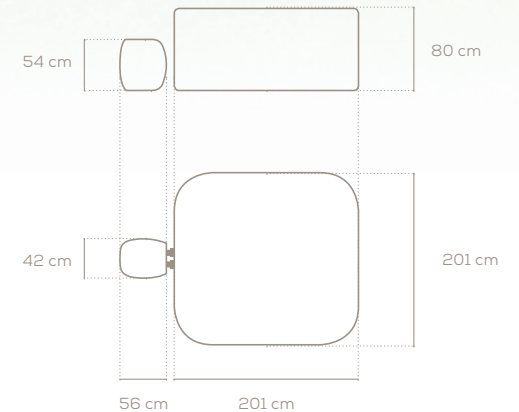


NEW  
GENERATION



- Hydrodynamic water jetstream and air bubble massage system (8 jetstream nozzles and 180 jets)
- Ultra-strong DuraPlus™ internal beams and outer walls offer superior structural stability
- Freeze Shield™ automatic heating prevents water from freezing & damaging the spa
- Program the spa heater up to 40 days in advance for future use
- ChemConnect™ dispenser provides a stable level of chlorine throughout the spa
- ColorJet LED lights alternate between 7 different colors
- Power-saving, timer-controlled heating system
- Digital control panel & spa pump with integrated filtration system includes cup holders and is accessible from inside the spa
- Reinforced cover with safety lock clips
- Inflatable seat and lounge provide an ultra-comfortable experience

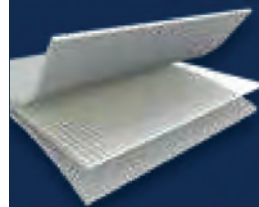
Contents: 1 spa, 1 pool cover, 1 spa pump, 1 ChemConnect™ dispenser, filter cartridge (VI), 2 water powered LED lights, repair kit, HydroJet Pro™ system





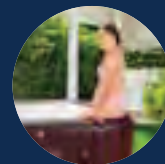


MALDIVES 60033+60034



## DURAPLUS™ CONSTRUCTION

Internal beams offer superior structural stability that can retain their shape no matter how many times the spa is inflated or deflated.



## Y-BEAM CONSTRUCTION

### DELIVERING STRENGTH AND COMFORT

Lay-Z-Spa's Y-Beam construction is designed to offer superior structural stability while maintaining a comfortable surface for a luxurious, refreshing spa experience.



## SPECIFICATIONS

|                      | 60033  | 60034   |
|----------------------|--|---|
| WATER CAPACITY (70%) | 1,050 L (277 GAL.)                             | 277 GAL. (1,050 L)                                      |
| INFLATED SIZE        | 2.01 M X 2.01 M X 80 CM<br>(79" X 79" X 31.5") | 79 IN. X 79 IN. X 31.5 IN.<br>(2.01 M X 2.01 M X 80 CM) |
| INNER SIZE           | 1.51 M X 1.51 M (59" X 59")                    | 59 IN. X 59 IN. (1.51 M X 1.51 M)                       |
| FILLED WEIGHT        | 1,118 KG (2,465 LBS)                           | 2,465 LBS (1,118 KG)                                    |
| RATING               | 220-240V~50HZ, 2050W<br>AT 20°C (68°F)         | 110-120V~ 60HZ, 12A<br>AT 68°F (20°C)                   |
| ACTUAL WATER FLOW    | 1,325 L/H (350 GAL./H)                         | 320 GAL./H (1,211 L/H)                                  |
| HEATING SYSTEM       | APPROX. 1.0-1.5°C/H<br>(2-3°F/H)               | APPROX. 1-2°F/H<br>(0.5-1.0°C/H)                        |
| CERTIFICATION        | CE/EAC/CM                                      | CETL  |
| PACK/ GROSS WEIGHT   | 1 EA., 72.53 KG (159.90 LBS)                   | 1 EA., 160.87 LBS. (72.97 KG)                           |

# SPA FEATURES



FREEZE SHIELD™



NO TOOLS  
REQUIRED



40 °C

MAX TEMP  
40 °C (104 °F)



CAPACITY  
5-7 PEOPLE



HYDROJET  
PRO™ MASSAGE  
SYSTEM



POWER SAVING  
TIMER



## DIGITAL CONTROL PANEL





# XTRAS

## ACCESSORIES TO COMPLIMENT YOUR SPA.

For easy maintenance and added comfort for your spa, Bestway® has a range of accessory options to choose from. Accessorize to maximize your comfort and cleanliness of your spa.



## RECHARGEABLE UNDERWATER VACUUM 60301

- Rechargeable lithium battery (no memory effect)
- Consistent performance for a full 30 minutes
- Ideal for spas and small pools
- Pivoting suction head with wheels and brushes
- Debris is collected in an easy-to-access and easy-to-empty stainless steel filter
- USB charging cable
- Full color box
- 4 Ea., 5.65 kg (12.46 lbs)

Contents: 1 rechargeable vacuum set, 1 USB charging cable

 **TRANSPARENT BODY**  
.....  
shows debris level

 **RECHARGEABLE**  
.....  
Plug, charge, and clean!

**TWO-SECTION POLE**  
.....  
with total reach of approximately 1.50 m (5 ft.)

**PIVOTING SUCTION HEAD** 





## CANOPY 60304

- 1.83 m x 94 cm x 1.09 m / 6' x 37" x 43"
  - Fabric with UV protection
  - Fits all Bestway Spa (except St. Lucia and Vancouver)
  - High density, ventilated mesh windows
  - Two removable guy lines to provide stability
  - Full color box
  - 3 Ea. 4.09 kg (9.02 lbs)
- Contents: 1 tent, 3 poles, 2 guy lines, 1 storage bag

## SURROUND 60308

- 2.00 m x 40 cm x 40 cm / 78" x 16" x 16"
  - Inflatable spa surround
  - Made of DuraPlus™ material
  - Inner DuraPlus™ Y-Beams
  - Inflate with the spa pump or air pump
  - Can be connected by velcro which is located on each end
  - 3 connect to form a circle around the spa
  - Suitable for all round Lay-Z-Spas
  - Full color box
  - 1 Ea., 6.88 kg (15.17 lbs)
- Contents: 1 surround, repair patch





# DOME 60305

- 3.90 m x 3.90 m x 2.55 m / 12'9" x 12'9" x 8'4"
- Fabric with UV protection
- Fits all Bestway spas
- 4 large inside pockets to store personal items
- 4 detachable fabric and mesh doors, suitable for both winter and summer
- Suitable as a gazebo for use in the garden or backyard

- Can be used for pools up to 3.66 m (12") diameter
- Setup time: 15 min.
- Full color box
- 2 Ea., 29.65 kg (65.37 lbs)

Contents: 1 tent, 4 detachable fabric doors, 4 detachable mesh doors, carry bag





## COLORJET LED LIGHT 60302

- IP68 waterproof
- Water-powered LED light with 7 color options
- 2 light modes: fixed or alternating
- One-touch operation - simply press top button
- Full color box

• 6 Ea., 1.63 kg (3.59 lbs)

Contents: 1 ColorJet LED light

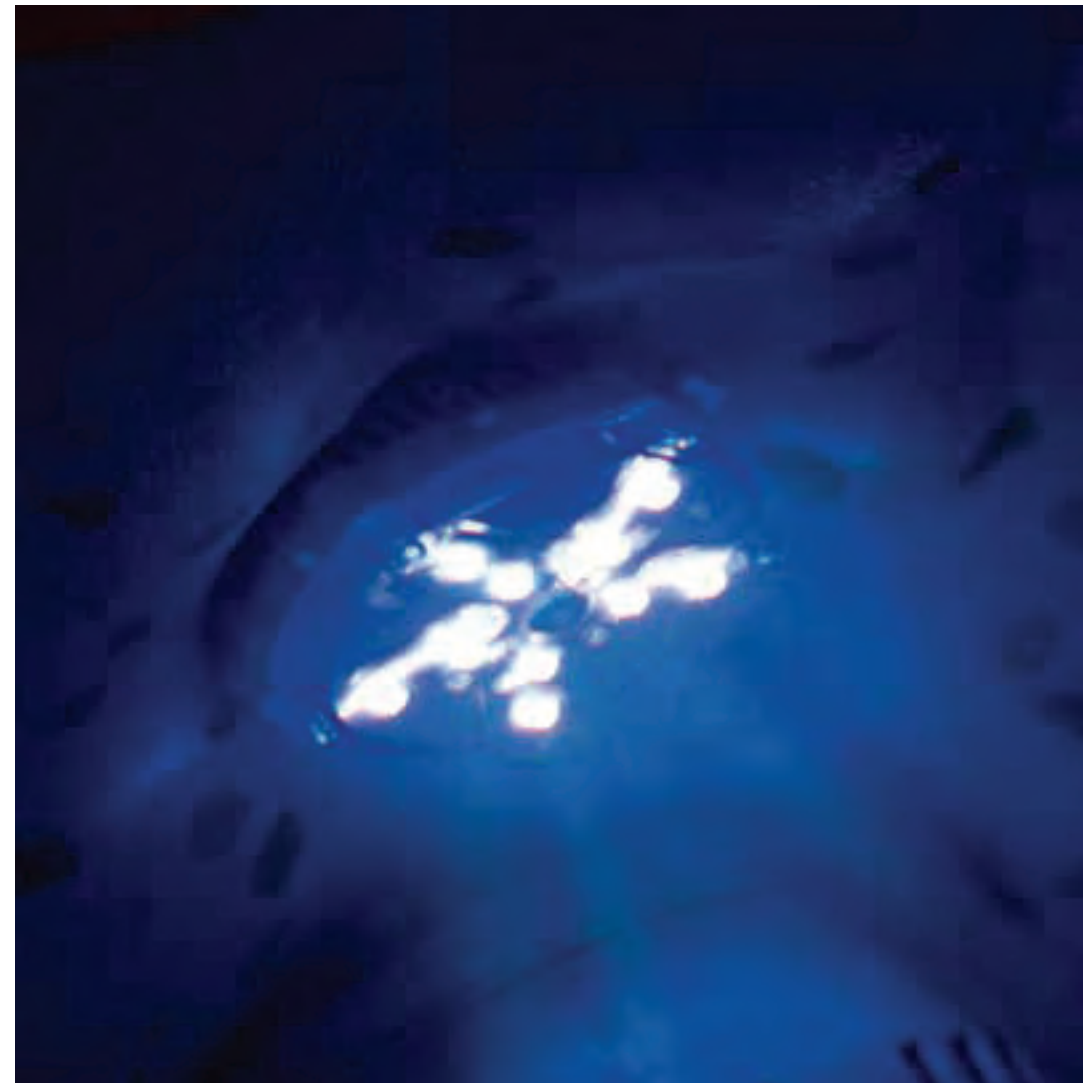


## 7-COLOR LED LIGHT 60303

- Uses 3 AAA batteries (not included)
- IP68 waterproof
- LED light alternates between 7 colors
- 2 hours of run time with auto-shutoff feature
- One-touch operation: simply press top button

• Full color box  
• 6 Ea., 0.98 kg (2.16 lbs)

Contents: 1 7-Color LED Light



## DRINK HOLDER 60306

- Keep beverages or snacks close by while you relax
  - Position anywhere on the top of spa sidewall
  - Compatible with all Lay-Z-Spas (except Monaco & Helsinki & Vancouver)
  - Full color box
- 12Ea., 8.95 kg (19.73 lbs)
  - Contents: 2 drink holders, 1 tray



## PILLOW 60307

- Soft pillow provides head and neck support
  - Organic PU foam is 100% waterproof and resistant to chemicals and odors
  - Compatible with all Lay-Z-Spas (except Helsinki & Vancouver)
  - Easy to clean
- Full color box
  - 4Ea., 3.96 kg (8.73 lbs)
  - Contents: 2 pillows







SCRUBBING MITT



SCOOP



BRUSH

## ALL IN ONE

# TOOL SET 60310

### Scoop:

- Bumper protects spa surface
- Round shaped design fits the contours of the spa interior
- Deep net to collect debris
- Handheld or connects to standard telescopic pole

### Brush:

- Bumper and nylon bristles protect spa's surface
- Handheld or connects to standard telescopic pole

### Scrubbing Mitt:

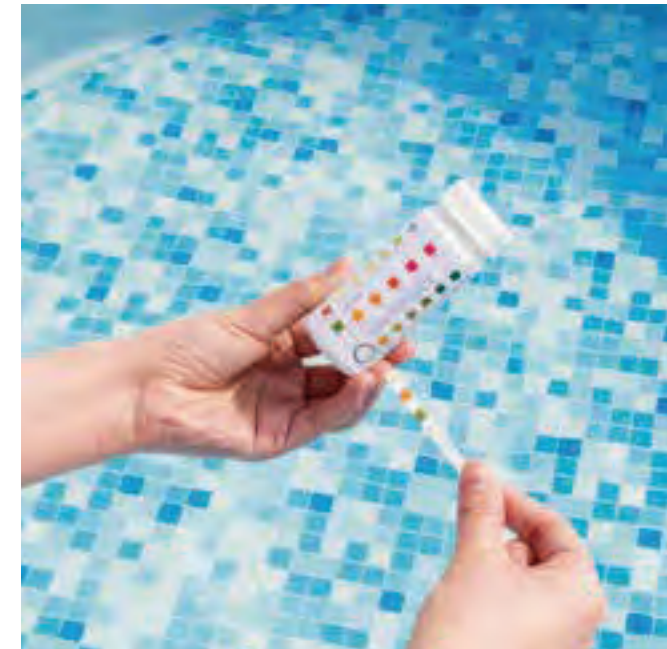
- Scrub along spa water line
- Latex glove bonded with scrubber pad

- Full color box
- 8 Ea., 7.3 kg (16.09 lbs)

Contents: 1 scoop, 1 brush, 1 scrubbing mitt

## TEST STRIPS 58142

- 3-in-1 Test Strip:
  - Free Chlorine
  - pH
  - Total Alkalinity
- Measures Free Chlorine 0 to 10 ppm, Alkalinity 0 to 240 ppm and pH 6.2 to 8.4 with instant results
- Blister card
- 24 Ea., 2.65 lbs (1.20 kg)



## FLOOR PROTECTOR 60309

- 2.16 m x 2.16 m / 85" x 85"
- Square protector 40 cm x 50 cm (15.5" x 19.5") mat for spa heater
- Durable polyethylene material that provides protection for your spa
- Compatible with all Bestway Spas
- Package contains 10 pieces (9 attachable, 1 individual)
- Shrink wrapped with insert card
- 4 Ea., 10.48 kg (23.10 lbs)

Contents: 1 Floor Protector Set



## FILTER CARTRIDGE (VI) 60311

- 10.6 cm x 8.0 cm / 4.2" x 3.1"
- Easy to clean
- Shrink wrapped with insert card
- 12 Set., 2.79 kg (6.15 lbs)

Contents: 2 filter cartridges



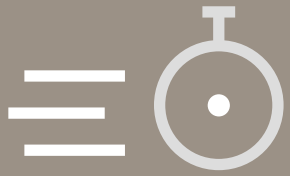


# TECHNICAL FEATURES

|              | SPA                       | STURDY BEAM | STURDY Y-BEAM | DROP STITCH | POWER SAVING TIMER | WATER FILTER ACTIVATION | HEATING SYSTEM | LED LIGHTS | APP REMOTE CONTROL |
|--------------|---------------------------|-------------|---------------|-------------|--------------------|-------------------------|----------------|------------|--------------------|
| AIRJET       | ST. LUCIA<br>60037+60038  | •           |               |             | •                  | •                       | •              |            |                    |
|              | MIAMI<br>60001+60002      | •           |               |             | •                  | •                       | •              |            |                    |
|              | BAHAMAS<br>60005+60006    | •           |               |             | •                  | •                       | •              |            |                    |
|              | CANCUN<br>60003+60004     | •           |               |             | •                  | •                       | •              |            |                    |
|              | TAHITI<br>60007+60008     | •           |               |             | •                  | •                       | •              | •          |                    |
|              | IBIZA<br>60015+60016      | •           |               |             | •                  | •                       | •              |            |                    |
|              | HONOLULU<br>60019+60020   |             | •             |             | •                  | •                       | •              |            |                    |
|              | HAWAII<br>60021+60022     |             | •             |             | •                  | •                       | •              |            |                    |
|              | ST. MORITZ<br>60023+60024 |             | •             |             | •                  | •                       | •              |            |                    |
|              | HELSINKI<br>60025+60026   |             |               |             | •                  | •                       | •              |            |                    |
| AIRJET PLUS  | MILAN<br>60029+60030      |             | •             |             | •                  | •                       | •              |            | •                  |
|              | VANCOUVER<br>60027+60028  |             |               | •           | •                  | •                       | •              |            | •                  |
| HYDROJET PRO | HAWAII<br>60031+60032     |             | •             |             | •                  | •                       | •              |            |                    |
|              | MALDIVES<br>60033+60034   |             | •             |             | •                  | •                       | •              | •          |                    |







# EASY SETUP



1

INFLATE  
YOUR LAY-Z-SPA  
WITH THE PUMP



2

CONNECT  
THE PUMP UNIT  
TO THE SPA



3

FILL  
THE LAY-Z-SPA  
& ENJOY!

# SETUP & MAINTENANCE

With the necessary tools already included, Lay-Z-Spa setup is quick and easy!

After finding a flat area to place the spa, it's a simple process of 1, 2, 3.

1. Inflate the spa with the double-functioning spa pump.
2. Connect the pump to the spa, and ensure that all of the tubes are attached to the correct openings.
3. Fill up the spa with water to the indicated level, and enjoy!

Also included with each spa is a chemical floater and filter cartridge to keep the water sparkling. Maintaining clean and healthy pool water is not just important for the user's experience, but it also extends the longevity of the spa.

Thanks to a new function available on all Lay-Z-Spas, the pump can also quickly and conveniently deflate the spa for transport or storage.





# INDEX

## AIRJET™

ST. LUCIA  
6 0 0 3 7 + 6 0 0 3 8  
pg 24-27



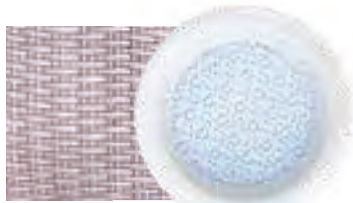
MIAMI  
6 0 0 0 1 + 6 0 0 0 2  
pg 28-31



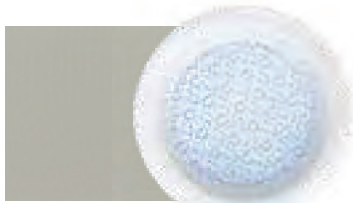
BAHAMAS  
6 0 0 0 5 + 6 0 0 0 6  
pg 32-35



CANCUN  
6 0 0 0 3 + 6 0 0 0 4  
pg 36-39



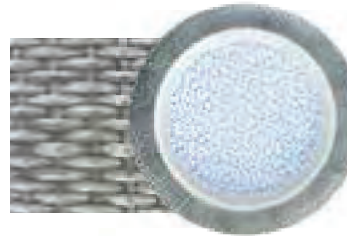
TAHITI  
6 0 0 0 7 + 6 0 0 0 8  
pg 40-43



IBIZA  
6 0 0 1 5 + 6 0 0 1 6  
pg 44-47



HONOLULU  
6 0 0 1 9 + 6 0 0 2 0  
pg 48-51



HAWAII  
6 0 0 2 1 + 6 0 0 2 2  
pg 52-55



ST. MORITZ  
6 0 0 2 3 + 6 0 0 2 4  
pg 56-59



HELSINKI  
6 0 0 2 5 + 6 0 0 2 6  
pg 60-63



## AIRJET PLUS™

MILAN  
6 0 0 2 9 + 6 0 0 3 0  
pg 66-69



VANCOUVER  
6 0 0 2 7 + 6 0 0 2 8  
pg 72-75



## HYDROJET PRO™

HAWAII  
6 0 0 3 1 + 6 0 0 3 2  
pg 78-81



MALDIVES  
6 0 0 3 3 + 6 0 0 3 4  
pg 82-85



# XTRAS™

RECHARGEABLE  
UNDERWATER VACUUM  
6 0 3 0 1  
pg 87



DRINK  
HOLDER  
6 0 3 0 6  
pg 91

CANOPY  
6 0 3 0 4  
pg 88



PILLOW  
6 0 3 0 7  
pg 91

SURROUND  
6 0 3 0 8  
pg 88



ALL IN ONE TOOL SET  
6 0 3 1 0  
pg 92

DOME  
6 0 3 0 5  
pg 89



TEST STRIPS  
5 8 1 4 2  
pg 92

COLORJET  
LED LIGHT  
6 0 3 0 2  
pg 90



FLOOR PROTECTOR  
6 0 3 0 9  
pg 93

7-COLOR  
LED LIGHT  
6 0 3 0 3  
pg 90



FILTER CARTRIDGE (VI)  
6 0 3 1 1  
pg 93





# LAY-Z-SPA®

## SHANGHAI

Bestway Inflatables & Material Corp.  
No. 208 Jin Yuan Wu Road,  
Shanghai, 201812, China  
Tel: 86 21 6913 5588  
E-mail: info@bestwaycorp.com

## HONG KONG

Bestway (Hong Kong) International Ltd.  
Suite 713, 7/Floor, East Wing,  
Tsim Sha Tsui Centre,  
66 Mody Road, Kowloon, Hong Kong  
Tel: 852 2997 7169  
E-mail: info@bestwaycorp.hk

## U.S.A.

Bestway (USA) Inc.  
3411 E. Harbour Drive, Phoenix, Arizona  
85034, United States of America  
Tel: 1 480 838 3888  
E-mail: info@bestwaycorp.us

## EUROPE

Bestway (Europe) S.r.l.  
Via Resistenza, 5  
20098 San Giuliano M.se (Mi), Italy  
Tel: 39 02 9884 881  
E-mail: info@bestwaycorp.eu

## EASTERN EUROPE

Bestway Eastern Europe Sp. z o.o.  
Ul. Ekologiczna 24  
05-080 Kludyn Poland  
Tel: 48 22 60 22 508  
E-mail: info@bestwaycorp.pl

## LATIN AMERICA

Bestway Central & South America Ltda  
Salar Ascotan 1282, Parque Enea,  
Pudahuel, Santiago, Chile  
Tel: 562 3203 6438  
E-mail: info@bestwaycorp.lat

## BRAZIL

Bestway Brazil  
Av Cerro Azul, 2783 Maringa - PR - Brazil  
Zip Code: 87010-055  
Tel: 55 44 3046 2950 / 0800 001 8400  
E-mail: info@bestwaycorp.com.br

## AUSTRALIA

Bestway Australia Pty Limited  
Unit 2/98-104 Carnarvon St  
Silverwater, NSW 2128, Australia  
Tel: 61 2 9037 1388  
E-mail: info@bestwaycorp.com.au

## FRANCE

Bestway France Sarl  
1681 route des Dolines  
- Les Tairssounières - Belem  
06560 VALBONNE  
Tel: 33 4 97 04 92 99  
E-mail: info@bestwaycorp.fr

## GERMANY

Bestway Deutschland GmbH  
Parkstraße 11  
24534 Neumünster, Germany  
Tel: 49 4321 555 05 - 0  
E-mail: info@bestwaycorp.de

**Bestway**



[www.bestwaycorp.com](http://www.bestwaycorp.com)